

HUKX

Sensor
Technology

User manual
Digital second class
pyranometers with
various outputs

SR05-D1A3
SR05-D2A2

Warning statements



Putting more than 30 Volt across the sensor wiring of the main power supply can lead to permanent damage to the sensor.



For proper instrument grounding: Use SR05 with its original factory-made SR05 cable. See chapter on grounding and use of the shield.



Using the same Modbus address for more than one device will lead to irregular behavior of the entire network.



Your data request may need an offset of +1 for each SR05 register number, depending on processing by the network master. Consult the manual of the device acting as the local master.

Contents

Introduction	6
1 Ordering and checking at delivery	10
1.1 Ordering SR05	10
1.2 Included items	11
1.3 Quick instrument check	12
2 Instrument principle and theory	13
3 Specifications of SR05	15
3.1 Specifications of SR05-D1A3 and SR05-D2A2	15
3.2 Dimensions of SR05	22
4 Standards and recommended practices for use	23
4.1 Classification standard	23
4.2 General use for solar radiation measurement	24
4.3 General use for sunshine duration measurement	24
4.4 Specific use for outdoor PV system performance testing	24
4.5 Specific use in meteorology and climatology	25
5 Installation of SR05	26
5.1 Site selection and installation	26
5.2 Mounting and leveling SR05	27
5.3 Installing SR05	27
5.4 Installing SR05 with its ball leveling and tube mount	28
5.5 Electrical connection of SR05 series: wiring diagram	31
5.6 Grounding and use of the shield	32
5.7 Using SR05-D1A3's analog 0 to 1V output	33
5.8 Using SR05-D2A2's analog 4 to 20 mA output	34
5.9 Using SR05-D1A3's and SR05-D2A2's digital output	35
5.10 Connecting SR05-D1A3 to an RS-485 network	36
5.11 Connecting SR05-D2A2 to a TTL device	37
5.12 Connecting SR05 to a PC	37
6 Communication with SR05	39
6.1 PC communication: Sensor Manager software	39
6.2 Network communication: function codes, registers, coils	43
6.3 Network communication: getting started	50
6.4 Network communication: example master request to SR05	51
7 Making a dependable measurement	54
7.1 The concept of dependability	54
7.2 Reliability of the measurement	55
7.3 Speed of repair and maintenance	56
7.4 Uncertainty evaluation	56
8 Maintenance and troubleshooting	59
8.1 Recommended maintenance and quality assurance	59
8.2 Troubleshooting	61
8.3 Calibration and checks in the field	62
8.4 Data quality assurance	63

9 Appendices	64
9.1 Appendix on cable extension/replacement	64
9.2 Appendix on tools for SR05	66
9.3 Appendix on spare parts for SR05	66
9.4 Appendix on standards for classification and calibration	67
9.5 Appendix on calibration hierarchy	67
9.6 Appendix on meteorological radiation quantities	69
9.7 Appendix on ISO and WMO classification tables	70
9.8 Appendix on the definition of pyranometer specifications	72
9.9 Appendix on terminology/glossary	74
9.10 Appendix on floating point format conversion	76
9.11 Appendix on function codes, register and coil overview	77
9.12 Appendix on finding the sensor model name in the register	80
9.13 EU declaration of conformity	82

List of symbols

quantities	symbol	unit
voltage output	U	V
sensitivity	S	V/(W/m ²)
solar irradiance	E	W/m ²
output of 0 to 1V	U	V
transmitted range of 0 to 1V	r	W/m ²
output of 4 to 20 mA current	I	A
resistance	R	Ω
transmitted range of 4 to 20 mA	r	W/m ²

(see also Appendix 9.6 on meteorological quantities)

subscripts

not applicable

Introduction

Pyranometers of the SR05 series are the most affordable of Hukx pyranometers meeting ISO 9060 requirements. They are ideal for general solar radiation measurements in (agro-)meteorological networks and PV monitoring systems. SR05s are easy to mount and install with various outputs available—both digital and analog—for seamless system integration.

SR05 series is Hukx's most economical range of ISO 9060 classified pyranometers. Pyranometers are engineered for measurement of solar radiation received by a plane surface, in W/m^2 , from a 180° field of view angle. Different configurations are available, depending on mounting and the output needed. SR05 series' combination of easy installation, good accuracy, and cost-efficiency makes these spectrally flat pyranometers ideal for installation in (agro-) meteorology networks and commercial-scale PV system monitoring.

Benefits

- industry-standard digital and analog outputs: easy implementation and servicing
- simplified mounting and leveling: unique ball leveling and tube mount (optional)
- affordable pricing: finally budget-conscious Class C performance for large networks

SR05 series design

SR05 pyranometers feature a thermopile sensor with a black-coated surface, a single dome, and a protective anodized aluminum body with a visible bubble level. Optionally, the sensor has a unique ball leveling mechanism and tube mount for easy installation.

SR05 has a variety of industry-standard outputs, both digital and analog:

- SR05-D1A3: Modbus over RS-485 and 0 to 1 V output
- SR05-D2A2: Modbus over TTL and 4 to 20 mA current loop output
- SR05-A1: conventional analog millivolt output

This user manual covers the use of two digital sensors in the SR05 series range: SR05-D1A3 and SR05-D2A2. Specifications of these versions differ from those of the analog version SR05: SR05-A1. For SR05-A1, consult the separate SR05-A1 user manual.



Figure 0.1 SR05 digital second class pyranometer seen from above.



Figure 0.2 On the left SR05 digital second class pyranometer with bubble level and M12-A cable connector in its standard configuration (3 meter cable standard included); on the right SR05 with optional ball leveling, for easy mounting and leveling on (non-)horizontal surfaces (included mounting bolts not displayed).



Figure 0.3 SR05 digital second class pyranometer with optional ball leveling and tube mount for easy mounting and leveling on a tube (tube not included).

Standards

Applicable instrument classification standards are ISO 9060 and WMO-No. 8

Versions

SR05 series offers various versions with industry standard outputs, both digital and analog, each with several options:

- **SR05-D1A3** digital Class C pyranometer: with Modbus over RS-485 and 0 to 1V output
- **SR05-D2A2** digital Class C pyranometer: with Modbus over TTL and 4 to 20 mA output
- **SR05-A1** analog Class C pyranometer: with millivolt output

Options

- cable lengths: 10, 20 m
- with ball leveling
- with ball leveling and tube mount (for tube diameters 25 to 40 mm)
- extension cable with connector pair: 10, 20 m

Communication with a PC: Hukseflux Sensor Manager software

For communication between a PC and SR05-D1A3 and/or SR05-D2A2, the Hukseflux Sensor Manager software is downloadable. It allows the user to plot and export data, and change the SR05 Modbus address and its communication settings.

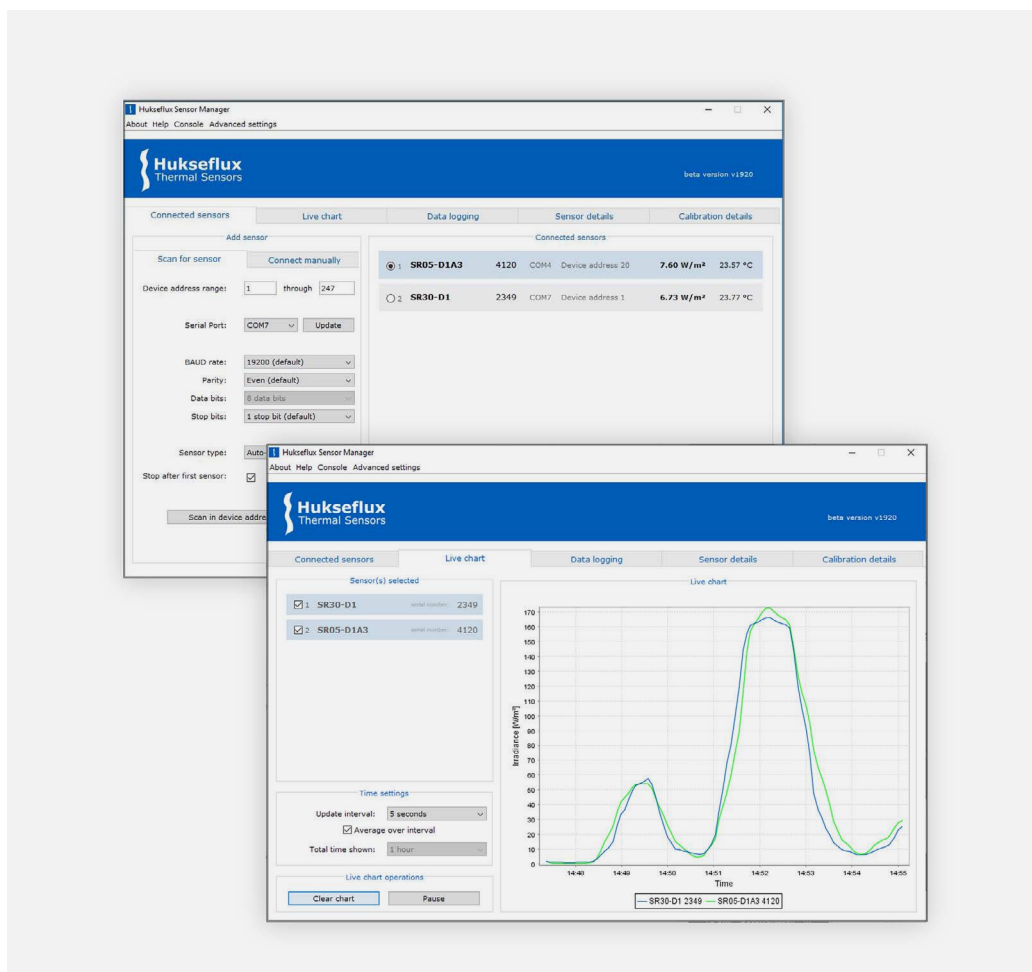


Figure 0.4 User interface of the Sensor Manager.

SR05-D1A3 is suited for use in SCADA (Supervisory Control And Data Acquisition) systems, supporting Modbus RTU (Remote Terminal Unit) protocol over RS-485. In these networks the sensor operates as a slave. Using SR05-D1A3 in a network is easy. Once it has the correct Modbus address and communication settings and is connected to a power supply, the instrument can be used in RS-485 networks. A typical network will request the irradiance (registers 2 + 3) and temperature data (register 6) every 1 second, and eventually store the averages every 60 seconds. How to issue a request, process the register content and convert it to useful data is described in the paragraphs about network communication. The user should have sound knowledge of the Modbus communication protocol when installing sensors in a network. When using the analog 0 to 1V output provided by SR05-D1A3, the instrument can be connected directly to commonly used datalogging systems capable of handling a 0 to 1V signal.

When using SR05-D2A2's digital output, it can be connected to TTL devices via Modbus over TTL, or when using SR05-D2A2's analog 4 to 20 mA output, to commonly used datalogging systems capable of handling a 4 to 20 mA current loop signal. All SR05 versions should be used in accordance with the recommended practices of ISO, WMO and ASTM.

Calibration

The recommended calibration interval of pyranometers is 2 years. The registers containing the applied sensitivity and the calibration history of the digital versions of SR05 are accessible for users with a password. This allows the user to choose his own local calibration service. The same register access may also be used for remotely controlled re-calibration of pyranometers in the field. Ask Hukx for information on this feature and on ISO and ASTM standardized procedures for field calibration.

The ASTM E2848 "*Standard Test Method for Reporting Photovoltaic Non-Concentrator System Performance*" (issued end 2011) confirms that a pyranometer is the preferred instrument for PV system performance monitoring.

SR05 pyranometer complies with the requirements of this standard. For more information, see our [pyranometer selection guide](#).

WMO has approved the "pyranometric method" to calculate sunshine duration from pyranometer measurements in WMO-No. 8, *Guide to Meteorological Instruments and Methods of Observation*. This implies that SR05 may be used, in combination with appropriate software, to estimate sunshine duration. This is much more cost-effective than using a dedicated sunshine duration sensor. Ask for our application note.

See also

- Read about the [PMF01](#) pyranometer mounting fixture, compatible with SR05 ball leveling.
- View our complete [range of pyranometers](#).

1 Ordering and checking at delivery

1.1 Ordering SR05

There are two standard configurations for the digital model SR05, each with several options:

- SR05-D1A3 (formerly known as SR05-DA1):
with Modbus over RS-485 and 0 to 1V output.
standard cable length: 3 meters
- SR05-D2A2 (formerly known as SR05-DA2):
with Modbus over TTL and 4 to 20 mA current loop output.
standard cable length: 3 meters

Common options are:

- longer cable (10, 20 meters), specify total cable length
- extension cable with connector pair (10, 20 meters), specify total cable length
- ball leveling
- tube mount with ball leveling (for tube diameters 25 to 40 mm)

Ball leveling and tube mount are suited for retrofitting.

Table 1.1.1 Ordering codes for the digital versions of model SR05. (continued on next page).

versions of sr05 (part numbers), without cable	
SR05-D1A3	digital second class pyranometer, with Modbus over RS-485 and 0 to 1V output
SR05-D2A2	digital second class pyranometer, with Modbus over TTL and 4 to 20 mA output
cable for sr05 (part numbers), without cable	
'-03' after SR05 part number	180 °
'-10' after SR05 part number	0 to 2000 W/m ²
'-20' after SR05 part number	7 to 25 x 10 ⁻⁶ V/(W/m ²)
leveling options for sr05	
BL01 ball leveling, for leveling of SR05	ball leveling, for leveling of SR05
TMBL01	tube mount with ball leveling, for mounting SR05 on a tube

cable extension for sr05, with male and female m12-a connectors

C06E-10

C06E-20

An extension cable (with connector pair) can be used in combination with a regular cable (with one connector at sensor end) to make alternative SR05 cable lengths possible.

Example: cable length needed: 15 m. In this case, it is easiest to buy SR05 with a 20 m cable and to cut it to desired length.

Example: cable length needed: 30 m. In this case, it is easiest to buy SR05 with 10 m cable and a cable extension of 20 m.

1.2 Included items

Arriving at the customer, the delivery should include:

- pyranometer SR05
- cable of the length as ordered
- product certificate matching the instrument serial number

Please store the certificate in a safe place.

The Hukx Sensor Manager can be downloaded via

<https://hukx.com/downloads>

When ordering mounting options BL01 or TMBL01 with SR05, the delivery should also include:

- BL01:
 - ball leveling
 - 4 mm hex key
 - 1 x shim
 - 2 x M5x20 bolts
 - 2 x M5 nuts
- TMBL01:
 - ball leveling
 - 4 mm hex key
 - 1 x shim
 - 2 x M5x20 bolts
 - 2 x M5 nuts
 - tube mount
 - 2 x M5x30 bolts
 - 2 x M5x40 bolts



Figure 1.2.1 From left to right: SR05, SR05 with mounting option BL01, and SR05 with tube mounting option TMBL01 (nuts and bolts, tools and certificates are not shown, tube itself is not included).

1.3 Quick instrument check

A quick test of the instrument can be done by connecting it to a PC and installing the Sensor Manager software. See the chapters on installation and PC communication for directions.

1. At power-up the signal may have a temporary output level different from zero; an offset. Let this offset settle down.
2. Check if the sensor reacts to light: expose the sensor to a strong light source, for instance a 100 W light bulb at 0.1 m distance.
The signal should read $> 100 \text{ W/m}^2$ now. Darken the sensor either by putting something over it or switching off the light. The instrument irradiance output should go down and within one minute approach 0 W/m^2 .
3. Inspect the bubble level.
4. Inspect the instrument for any damage.
5. Check the instrument serial number as indicated by the software against the label on the instrument and against the certificates provided with the instrument.

2 Instrument principle and theory

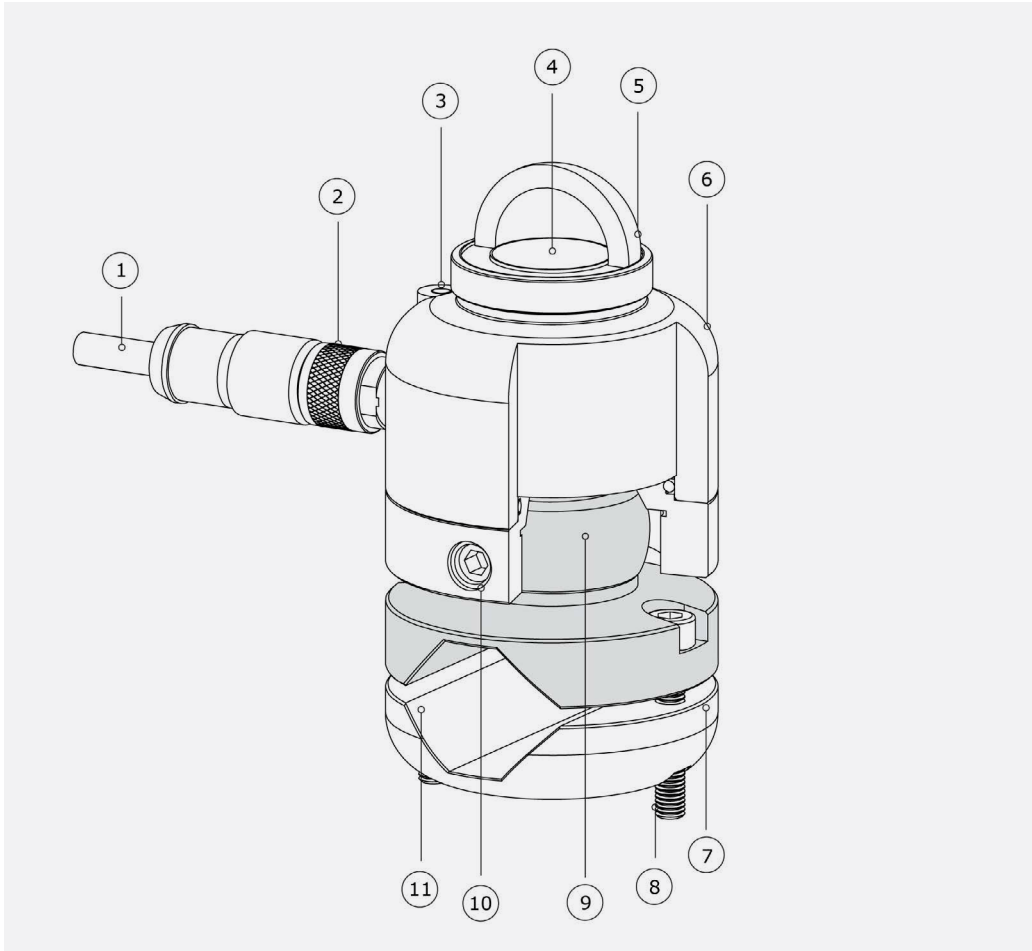


Figure 2.1 Overview of SR05

(shaded areas in exploded view show ball leveling mount and shim). Numbers 7 to 12 are included when ordering option BL01 or TMBL01:

1. cable (standard length 3 meters, optional longer cable)
2. connector
3. bubble level
4. thermal sensor with black coating
5. glass dome
6. sensor body
7. tube mount (included with TMBL01)
8. mounting screw (included with BL01 and TMBL01; requires 4 mm hex key)
9. shim (included with BL01 and TMBL01; needed for ball leveling mount)
10. ball leveling mount (included with BL01 and TMBL01)
11. countersunk set screw for leveling adjustment (included with BL01 and TMBL01; requires 4 mm hex key)
12. opening for $\varnothing 25$ to $\varnothing 40$ mm tube when using ball leveling and tube mount

SR05's scientific name is pyranometer. A pyranometer measures the solar radiation received by a plane surface from a 180° field of view angle. This quantity, expressed in W/m^2 , is called "hemispherical" solar radiation. The solar radiation spectrum extends roughly from 285 to 3000×10^{-9} m. By definition a pyranometer should cover that spectral range with a spectral selectivity that is as "flat" as possible.

In an irradiance measurement by definition the response to "beam" radiation varies with the cosine of the angle of incidence; i.e. it should have full response when the solar radiation hits the sensor perpendicularly (normal to the surface, sun at zenith, 0° angle of incidence), zero response when the sun is at the horizon (90° angle of incidence, 90° zenith angle), and 50 % of full response at 60° angle of incidence. A pyranometer should have a so-called "directional response" (older documents mention "cosine response") that is as close as possible to the ideal cosine characteristic.

In order to attain the proper directional and spectral characteristics, a pyranometer's main components are:

- A thermal sensor with black coating. It has a flat spectrum covering the 200 to 50000 $\times 10^{-9}$ m range, and has a near-perfect directional response. The coating absorbs all solar radiation and, at the moment of absorption, converts it to heat. The heat flows through the sensor to the sensor body. The thermopile sensor generates a voltage output signal that is proportional to the solar irradiance.
- A glass dome. This dome limits the spectral range from 285 to 3000 $\times 10^{-9}$ m (cutting off the part above 3000 $\times 10^{-9}$ m), while preserving the 180 ° field of view angle. Another function of the dome is that it shields the thermopile sensor from the environment (convection, rain).

The digital versions of model SR05 have a high-end 24-bit A/D converter, which is used by SR05 to convert the analog thermopile voltage to a digital signal.

Pyranometers can be manufactured to different specifications and with different levels of verification and characterization during production. The ISO 9060:1990 standard, "Solar energy—specification and classification of instruments for measuring hemispherical solar and direct solar radiation", distinguishes between 3 classes; secondary standard (highest accuracy), first class (second highest accuracy) and second class (third highest accuracy).

From second class to first class and from first class to secondary standard, the achievable accuracy improves by a factor 2.

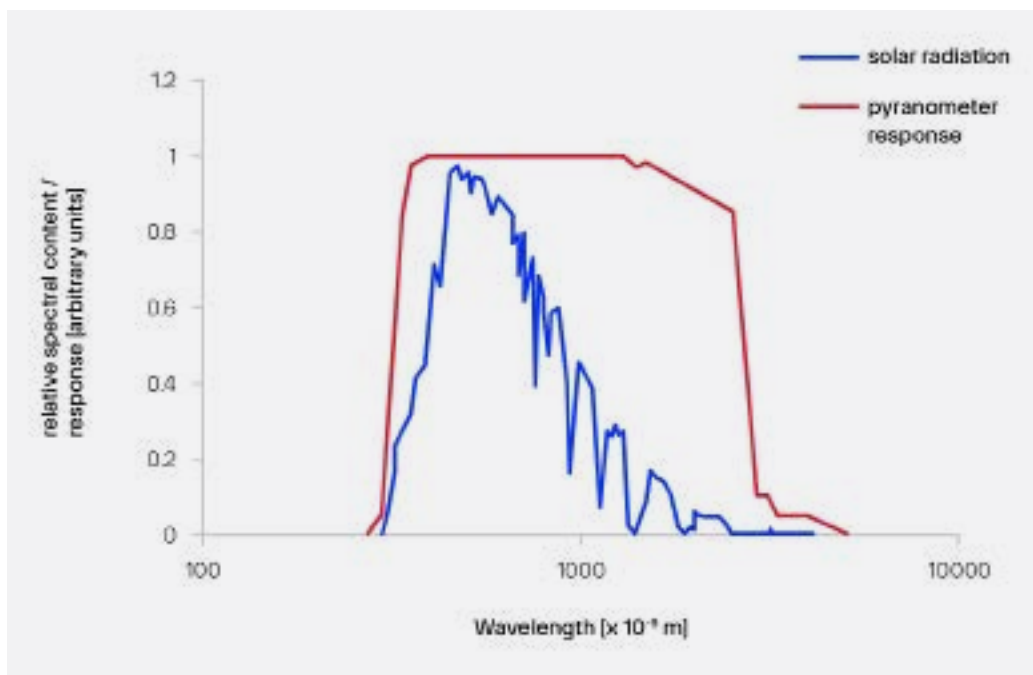


Figure 2.2 Spectral response of the pyranometer compared to the solar spectrum. The pyranometer only cuts off a negligible part of the total solar spectrum.

3 Specifications of SR05

3.1 Specifications of SR05-D1A3 and SR05-D2A2

SR05 measures the solar radiation received by a plane surface from a 180° field of view angle. This quantity, expressed in W/m^2 , is called “hemispherical” solar radiation.

SR05-D1A3 offers irradiance in W/m^2 as a digital output and as a 0 to 1V output. It must be used in combination with suitable power supply and a data acquisition system which uses the Modbus communication protocol over RS-485 or one that is capable of handling a 0 to 1V signal.

SR05-D2A2 offers irradiance in W/m^2 as a digital output and as a 4 to 20 mA output. It must be used in combination with suitable power supply and a data acquisition system which uses the Modbus communication protocol over TTL or one that is capable of handling a 4 to 20 mA current loop signal.

This user manual covers the use of two digital sensors in the SR05 series range: SR05-D1A3 and SR05-D2A2. Specifications of these versions differ from those of the analog version SR05: SR05-A1. For SR05-A1, consult the separate SR05-A1 user manual.

The instrument is classified according to ISO 9060 and should be used in accordance with the recommended practices of ISO, IEC, WMO and ASTM.

Table 3.1.1 Specifications of SR05 series. (continued on next pages).

sr05 measurement specifications: list of classification criteria of iso 9060*	
ISO classification (ISO 9060:1990)	second class pyranometer
WMO performance level (WMO-No. 8, seventh edition 2008)	moderate quality pyranometer
response time (95 %)	18 s
zero offset a (response to 200 W/m^2 net thermal radiation)	< 15 W/m^2 unventilated
zero offset b (response to 5 K/h change in ambient temperature)	< $\pm 4 W/m^2$

* For the exact definition of pyranometer ISO 9060 specifications see the appendix.

recommended data request interval	< ± 1% change per year
non-linearity	< ± 1% (100 to 1000 W/m ²)
directional response	< ± 25 W/m ²
spectral selectivity	< ± 5% (0.35 to 1.5 x 10 ⁻⁶ m)
temperature response	< ± 3% (-10 to +40 °C)
tilt response	< ± 2% (0 to 90 ° at 1000 W/m ²)

SR05 series additional specifications

measurand	hemispherical solar radiation
measurand in SI radiometry units	irradiance in W/m ²
optional measurand	sunshine duration
field of view angle	180 °
output definition	running average over four last measurements, measurement interval 0.1 s, refreshed every 0.1 s
recommended data request interval	1 s, storing 60 s averages
measurement range	0 to 2000 W/m ²
measurement function/optional programming for sunshine duration	programming according to WMO guide Paragraph 8.2.2
internal temperature sensor	MAX31725 Digital temperature sensor
rated operating temperature range	-40 to +80 °C
spectral range (20 % transmission points)	285 to 3000 x 10 ⁻⁹ m
standard governing use of the instrument	ISO/TR 9901:1990 <i>Solar energy—Field pyranometers—Recommended practice for use</i> ASTM G183-05 <i>Standard Practice for Field Use of Pyranometers, Pyrheliometers and UV Radiometers</i>
supply to housing isolation voltage	100 V
standard cable length (see options)	3 m

cable diameter	4.8 x 10 ⁻³ m
chassis connector	M12-A straight male connector, male thread, 5-pole
chassis connector type	M12-A
cable connector	M12-A straight female connector, female thread, 5-pole
cable connector type	M12-A
connector protection class	IP67
cable replacement	replacement and extension cables with connector(s) can be ordered separately from Hukx
mounting (see options)	2 x M5 bolt at 46 mm center-to-center distance on north-south axis, requires 4 mm hex key
leveling (see options)	bubble level is included
leveling accuracy	< 0.6° bubble entirely in ring
desiccant	silica gel, 1.0 g, in a HDPE bag, (25 x 45) mm
IP protection class	IP67
gross weight	approx. 0.5 kg
net weight	approx. 0.5 kg

Calibration

calibration traceability	to WRR
calibration hierarchy	from WRR through ISO 9846 and ISO 9847, applying a correction to reference conditions
calibration method	indoor calibration according to ISO 9847, Type IIc
calibration uncertainty	< 2.4 % (k = 2)
recommended recalibration interval	2 years
reference conditions	20 °C, normal incidence solar radiation, horizontal mounting, irradiance level 1000 W/m ²

validity of calibration	Based on experience the instrument sensitivity will not change during storage. During use under exposure to solar radiation the instrument "non-stability" specification is applicable.
Adjustment after re-calibration	Via a PC, as power user with the Sensor Manager software. Request "power user" status at the factory for sensitivity adjustment and for writing the calibration history data.
Heating	
heater	no heating
Measurement accuracy	
uncertainty of the measurement	Statements about the overall measurement uncertainty can only be made on an individual basis. See the chapter on uncertainty evaluation.
WMO estimate on achievable accuracy for daily sums (see appendix for a definition of the measurement conditions)	10 %
WMO estimate on achievable accuracy for hourly sums (see appendix for a definition of the measurement conditions)	20 %
irradiance resolution	0.2 W/m ²
instrument body temperature resolution	3.9 x 10 ⁻³ °C
instrument body temperature accuracy	± 0.5 °C
SR05-D1A3: digital	
digital output	irradiance in W/m ² instrument body temperature in °C
rated operating voltage range	5 to 30 VDC
recommended operating voltage	12 VDC
power consumption	< 75 x 10 ⁻³ W at 12 VDC
communication protocol	Modbus over 2-wire RS-485 half duplex

transmission mode	Modbus RTU
system requirements for use with PC	Windows Vista and later, USB or RS-232 (COM) port and connector, RS-485 / USB converter or RS-485 / RS-232 converter
software requirements for use with PC	Java Runtime Environment—software available free of charge at http://www.java.com
user interface on PC	Hukx Sensor Manager software downloadable: to download and for available software updates, please check http://www.hukx.com/page/downloads

SR05-D1A3: analog 0 to 1V

0 to 1 v output	irradiance in W/m ²
transmitted range	0 to 1600 W/m ²
output signal	0 to 1V
standard setting (see options)	0 V at 0 W/m ² and 1V at 1600 W/m ²
rated operating voltage range	5 to 30 VDC
recommended operating voltage	12 VDC
power consumption	< 75 x 10 ⁻³ W at 12 VDC

SR05-D2A2: digital

digital output	irradiance in W/m ² instrument body temperature in °C
rated operating voltage range	5 to 30 VDC
recommended operating voltage	12 VDC
minimum operating voltage	10 VDC
power consumption	< 240 x 10 ⁻³ W at 12 VDC
maximum offset due to electronics	-7 W/m ²
communication protocol	Modbus over 2-wire RS-485 half duplex

transmission mode	Modbus RTU
system requirements for use with PC	Windows Vista and later, USB or RS-232 (COM) port and connector, TTL / USB converter or TTL / RS-232 converter
software requirements for use with PC	Java Runtime Environment—software available free of charge at http://www.java.com
user interface on PC	Hukseflux Sensor Manager software downloadable: to download and for available software updates, please check https://hukx.com/downloads

SR05-D2A2: analog 4 to 20 mA

4 to 20 mA output	irradiance in W/m ²
transmitted range	0 to 1600 W/m ²
output signal	4 to 20 x 10 ⁻³ A
standard setting (see options)	4 x 10 ⁻³ A at 0 W/m ² and 20 x 10 ⁻³ A at 1600 W/m ²
principle of 4 to 20 mA output	2-wire current loop
rated operating voltage range	5 to 30 VDC
recommended operating voltage	12 VDC
minimum operating voltage	10 VDC
power consumption	< 240 x 10 ⁻³ W at 12 VDC
recommended shunt resistance	100 Ω
maximum offset due to electronics	-7 W/m ²

Options

longer cable: 10,20 m cable with M12-A female connector on sensor end, non-stripped on other end	option code = total cable length
extension cable with connector pair: 10, 20 m cable with male and female M12-A connectors	option code = C06E-10 for 10 meters, C06E-20 for 20 meters
ball leveling (BL01)	mountable on (non-)horizontal surfaces with angle compensation up to 10 °; retrofittable; one shim, two M5x20 mounting bolts and two M5 nuts included; requires 4 mm hex key for leveling and 4 mm hex key and 8 mm wrench for mounting
tube mount with ball leveling (TMBL01)	mountable on tubes Ø 25 to Ø 40 mm with angle compensation up to 10 °; retrofittable; one shim, two M5x30 and two M5x40 mounting bolts included; requires 4 mm hex key for leveling and mounting
adapted transmitted range 0 to 1V	can be adjusted at the factory upon request
adapted transmitted range 4 to 20 mA	can be adjusted at the factory upon request

3.2 Dimensions of SR05

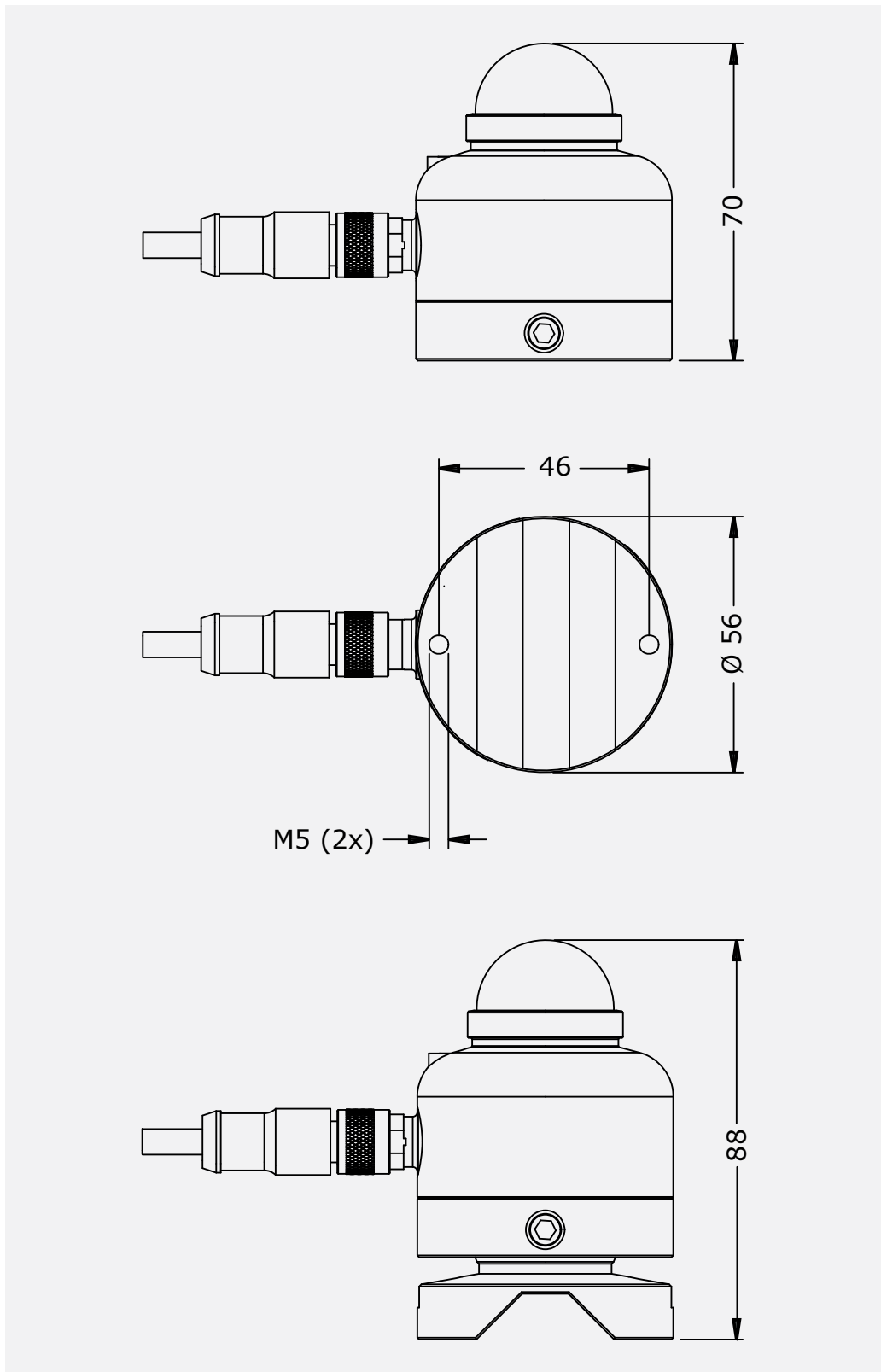


Figure 3.2.1 Dimensions of SR05 in $\times 10^{-3}$ m. The bottom drawing shows the height of SR05 combined with its optional ball leveling mount and the tube diameter required for use with SR05's optional tube mount. M5 mounting bolts and the countersunk set screw require a 4 mm hex key for mounting and leveling.

4 Standards and recommended practices for use

Pyranometers are classified according to the ISO 9060 standard and the WMO-No. 8 Guide. In any application the instrument should be used in accordance with the recommended practices of ISO, IEC, WMO and/or ASTM.

4.1 Classification standard

Table 4.1.1 Standards for pyranometer classification. See the appendix for definitions of pyranometer specifications, and a table listing the specification limits.

Standards for instrument classification		
ISO standard	equivalent ASTM standard	WMO
ISO 9060:1990 <i>Solar energy—Specification and classification of instruments for measuring hemispherical solar and direct solar radiation</i>	not available	WMO-No. 8 <i>Guide to Meteorological Instruments and Methods of Observation</i> , Chapter 7, measurement of radiation, 7.3 measurement of global and diffuse solar radiation

4.2 General use for solar radiation measurement

Table 4.2.1 Standards with recommendations for instrument use in solar radiation measurement.

standards for instrument use for direct solar radiation		
ISO standard	equivalent ASTM standard	WMO
ISO/TR 9901:1990 <i>Solar energy—Field pyranometers—Recommended practice for use</i>	ASTM G183-05 <i>Standard Practice for Field Use of Pyranometers, Pyrheliometers and UV Radiometers</i>	WMO-No. 8 <i>Guide to Meteorological Instruments and Methods of Observation</i> , Chapter 7, measurement of radiation, 7.3 measurement of global and diffuse solar radiation

4.3 General use for sunshine duration measurement

According to the World Meteorological Organization (WMO, 2003), sunshine duration during a given period is defined as the sum of that sub-period for which the direct solar irradiance exceeds 120 W/m^2 . WMO has approved the “pyranometric method” to estimate sunshine duration from pyranometer measurements (Chapter 8 of the WMO Guide to Instruments and Observation, 2008). This implies that a pyranometer may be used, in combination with appropriate software, to estimate sunshine duration. Ask for our application note.

Table 4.3.1 Standards with recommendations for instrument use in sunshine duration measurement.

standards for instrument use for direct solar radiation	
WMO	
WMO-No. 8 <i>Guide to Meteorological Instruments and Methods of Observation</i> , Chapter 8, measurement of sunshine duration, 8.2.2 Pyranometric Method	

4.4 Specific use for outdoor PV system performance testing

Pyranometers are used for monitoring PV power plant efficiency, in order to measure incoming solar radiation independently from the PV system. Pyranometers can be placed in two positions:

- Plane of Array (POA), parallel to the PV panels, for measurement of the in-plane irradiance (also noted as G_i in IEC 61724-1)
- horizontally, for measurement of the Global Horizontal Irradiance (E , also noted as GHI in IEC 61724-1)

SR05 series is applicable in outdoor PV system performance testing. See also Hukx model SR15-D1 and SR15-D2A2 digital first class pyranometers. The latter is an SR05 version offered as an alternative for monitoring with PV reference cells.

standards on pv system performance testing

ISO standard

IEC 61724-1 *Photovoltaic system performance monitoring—Guidelines for measurement, data exchange and analysis*

COMMENT: Allows pyranometers or reference cells according to IEC 60904-2 and -6. Pyranometer reading required accuracy better than 5% of reading (Paragraph 4.1)

COMMENT: equals JISC 8906 (Japanese Industrial Standards Committee)

equivalent ASTM standard

ASTM 2848-11 *Standard Test Method for Reporting Photovoltaic Non-Concentrator System Performance*

COMMENT: confirms that a pyranometer is the preferred instrument for outdoor PV testing. Specifically recommends a "first class" pyranometer (paragraph A 1.2.1.)

4.5 Specific use in meteorology and climatology

The World Meteorological Organization (WMO) is a specialized agency of the United Nations. It is the UN system's authoritative voice on the state and behavior of the earth's atmosphere and climate. WMO publishes WMO-No. 8 *Guide to Meteorological Instruments and Methods of Observation*, in which a table is included on "level of performance" of pyranometers. Nowadays WMO conforms itself to the ISO classification system.

5 Installation of SR05

5.1 Site selection and installation

Table 5.1.1 Recommendations for installation of SRA01 (continued on next page).

location	The situation that shadows are cast on the instruments is usually not desirable. The horizon should be as free from obstacles as possible. Ideally there should be no objects between the course of the sun and the instrument.
mechanical mounting/ thermal insulation	Preferably use the ball leveling mount included with BL01 and TMBL01 to mount SR05 to a (non-) horizontal surface. A pyranometer is sensitive to thermal shocks. Do not mount the instrument on objects that become very hot (black coated metal plates).
instrument mounting with 2 bolts	2 x M5 bolt at 46 mm center-to-center distance on north-south axis, connection through the sensor bottom in SR05's standard configuration. With BL01 ball leveling option: 2 x M5 bolt at 46 mm center-to-center distance, connection through ball leveling mount, M5x20 bolts and M5 nuts included. With TMBL01 ball leveling on tube mount option: 2 x M5 bolt at 46 mm center-to-center distance, connection through tube and ball leveling mount, M5x30 and M5x40 bolts included.
performing a representative measurement	The pyranometer measures the solar radiation in the plane of the sensor. This may require installation in a tilted or inverted position. The black sensor surface (sensor bottom plate) should be mounted parallel to the plane of interest. In case a pyranometer is not mounted horizontally or in case the horizon is obstructed, the representativeness of the location becomes an important element of the measurement. See the chapter on uncertainty evaluation.
leveling	In case of horizontal mounting use the bubble level and optionally the ball leveling mount. The bubble level is visible and can be inspected at all times.
instrument orientation	By convention with the cable exit pointing to the nearest pole (so the cable exit should point north in the northern hemisphere, south in the southern hemisphere).
installation height	In case of inverted installation, WMO recommends a distance of 1.5 m between soil surface and sensor (reducing the effect of shadows and in order to obtain good spatial averaging).

5.2 Mounting and leveling SR05

SR05 in its standard configuration is equipped with a visible bubble level and two mounting holes. For easy mounting and leveling on a (non-)horizontal surface, SR05's optional ball leveling, included with BL01 and TMBL01, is recommended.

Ball leveling offers:

- easy leveling
- easy cable orientation
- easy instrument exchange
- easy mounting (mounting bolts and nuts included)

When installing SR05, ball leveling allows SR05 to rotate 360 ° and to tilt up to 10 °. This allows compensation for up to a ten degree angle when installing on a non-horizontal surface. A 4 mm hex key (un)locks the ball leveling mechanism. When using a tube or rod for installing SR05, the optional tube mount, included with TMBL01, is recommended. Combined with ball leveling it allows mounting to a 25 to 40 mm diameter tube with the same ease of leveling and instrument exchange.



Figure 5.21 From left to right: SR05 in its standard configuration with 3 meter cable; with optional ball leveling for easy mounting and leveling on a (non-)horizontal surface; with optional ball leveling and tube mount for easy installation on a 25 to 40 mm diameter tube. Mounting bolts are included with the ball leveling and/or tube mount.

5.3 Installing SR05

SR05 without ball leveling and tube mounting options can be mounted using two M5 bolts (not included). For the required screw lengths, 5 to 7 mm should be added to the thickness of the user's mounting platform. See the chapter on required tooling.

5.4 Installing SR05 with its ball leveling and tube mount

Two M5x20 bolts and two M5 nuts are included with SR05's BL01 (and TMBL01) ball leveling option. These screws are to be used to mount SR05 with its ball leveling to a (non-)horizontal surface when mounting SR05 with BL01.

Two M5x30 bolts and two M5x40 screws are included with SR05's TMBL01's tube mount with ball leveling option. These screws are to be used to clamp both ball leveling and tube mount to a 25 to 40 mm diameter tube. For tube diameters larger than or equal to 33 mm, use the M5x40 bolts instead of the M5x30 bolts for a secure fit.

The unique ball head mechanism of SR05's ball leveling mount is used to level SR05. When ordering ball leveling with SR05, it is delivered separately from SR05.

In case SR05 is not attached to its ball leveling mount yet, the user has to ensure a shim is placed properly in the center of the bottom plate of SR05 before mounting and leveling. The shim allows smooth leveling and is shown top left in Figure 5.4.1. Follow steps 1 to 5 in Section 5.4.1 for placing the shim. Once a shim is in place, follow steps 6 to 9 in Section 5.4.2 to mount and level SR05 with its BL01 or TMBL01 ball leveling option. See Section 5.4.3 for removing the ball leveling mount and its shim.



Figure 5.4.1 On the left SR05's ball leveling including shim (mounting bolts not displayed) and on the right SR05 placed on the ball leveling mount. Loosen the countersunk set screw on SR05's side to unlock, allowing placement of the ball head and SR05 leveling, and tighten it to lock the ball head mechanism. A 4 mm hex key is the only tool needed to place and remove the ball leveling and to allow and disallow leveling adjustment. The shim, included when ordering ball leveling, allows for smooth leveling and should be positioned properly in the center of the bottom plate of SR05.

5.4.1 Placing SR05's ball leveling shim

When ordering SR05 pyranometer and its optional ball leveling or when exchanging a SR05 sensor on a ball leveling mount (retrofitting), the user has to ensure a dedicated shim is placed properly in the center of the bottom plate of SR05. The aluminum shim ensures a secure fit between SR05 and ball leveling and allows the ball head to rotate smoothly for easy leveling. The shim, a loose set screw, a 4 mm hex key, two M5x20 mounting bolts and two M5 nuts are included when ordering the BL01 or TMBL01 ball leveling mount.

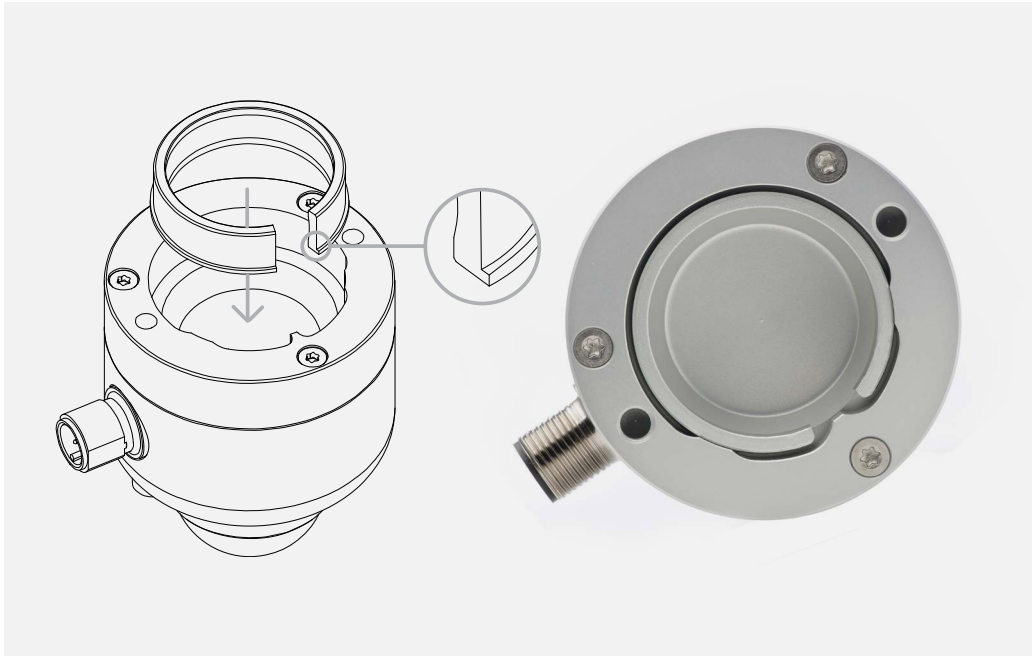


Figure 5.4.1.1 Line drawing indicating placement of the aluminum shim and photo showing the shim properly positioned in the center of SR05's bottom plate. Note the position of the protruding ledge when placing the shim.

The shim can be placed into SR05's bottom plate following these steps:

1. If your SR05 has a small black plastic cover cap on the countersunk set screw opening on SR05's side, remove it. A small flathead screwdriver may be used. Then insert the loose set screw with a 4 mm hex key by turning the hex key clockwise until the screw is only slightly protruding (sticking out).
2. Hold SR05 in one hand, the shim in the other.
3. Ensure the orientation of the shim fits with that of SR05's bottom plate. Note the position of the protruding ledge (see Figure 5.5.1).
4. Pinch the shim slightly in order to reduce its diameter and to make it fit easily into SR05's bottom plate.
5. While pinching, push the shim into its position on SR05's bottom plate. The shim is placed.

Continue with the following section for mounting and leveling SR05 with ball leveling.

5.4.2 Mounting and leveling SR05 with BL01 or TMBL01

When the shim is properly in place (see steps 1 to 5), SR05 can be mounted and levelled using BL01 or TMBL01. Continue with the following steps:

6. Mount the ball leveling to a surface or platform with its M5 bolts and nuts. See chapter on tooling required.
7. SR05, with its shim positioned, can now be placed on the ball leveling mount. Gently push the sensor onto the ball head until it clicks.
8. The ball head can be rotated 360 ° and allows angle compensation on non-horizontal surfaces up to 10 °.
9. When SR05 is mounted and levelled, judging by its bubble level, lock the ball head mechanism by turning the set screw clockwise with a 4 mm hex key until it is tightened. The set screw should be countersunk and not protruding (not sticking out).

A similar approach is followed when leveling SR05 on its tube mount in the field:

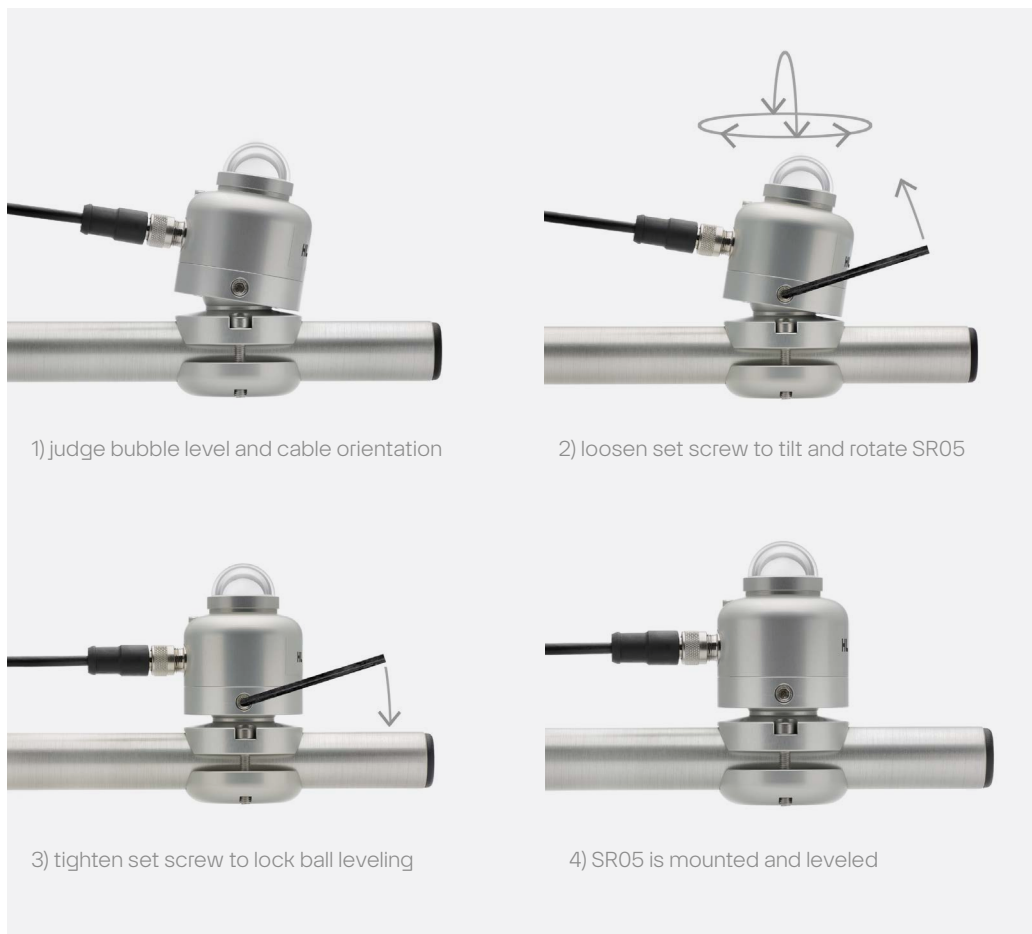


Figure 5.4.2.1 Leveling steps for SR05 when mounted on tube mount with ball leveling.

5.4.3 Removing the ball leveling mount and its shim

1. Loosen SR05's countersunk set screw with a 4 mm hex key by turning the hex key counter clockwise until the screw is slightly protruding (sticking out).
2. Hold SR05 in one hand, the ball leveling mount in the other.
3. Separate SR05 from the ball leveling mount by gently pulling out the ball leveling mount. Make sure the glass dome is protected at all times.

When (TM)BL01's ball head is not inserted in SR05, the shim makes a minor rattling noise when moving SR05. This is normal, caused by mechanical freedom between the two parts.

The shim can be removed from SR05's bottom plate by hand with the assistance of a small flathead screwdriver. See the chapter on tooling required. Let the screwdriver gently tip the shim out. When removing or placing the shim, make sure the glass dome is protected at all times.

5.5 Electrical connection of SR05 series: wiring diagram

The instrument must be powered by an external power supply, providing an operating voltage in the range from 5 to 30 VDC. SR05-D1A3 offers irradiance in W/m^2 as a digital output (Modbus over RS-485) and as an analog 0 to 1V output. SR05-D2A2 offers irradiance in W/m^2 as a digital output (Modbus over TTL) and as an analog 4 to 20 mA output.

This user manual covers the use of two digital sensors in the SR05 series range: SR05-D1A3 and SR05-D2A2. Specifications of these versions differ from those of the analog version SR05: SR05-A1. For SR05-A1, consult the separate SR05-A1 user manual.

Table 5.5.1 Wiring diagram of SR05-D1A3.

PIN	wire	SR05-D1A3 Modbus over RS-485	SR05-D1A3 0 to 1V output
1	brown	VDC [+]	VDC [+]
4	black	VDC [-]	VDC [-]
3	blue	not connected	0 to 1V output
2	white	RS-485 B / B' [+]	not connected
5	gray	RS-485 A / A' [-]	not connected
-	yellow	shield	shield

Note 1: at the connector end of the cable, the shield is connected to the connector housing

Note 2: it is not possible to use SR05-D1A3's digital and analog outputs at the same time

Table 5.5.2 Wiring diagram of SR05-D2A2.

PIN	wire	SR05-D2A2 Modbus over TTL	SR05-D2A2 4 to 20 mA output
1	brown	VDC [+]	VDC [+]
4	black	common	not connected
3	blue	VDC [-]	4 to 20 mA output
2	white	TTL [Tx]	not connected
5	gray	TTL [Rx]	not connected
-	yellow	shield	shield

Note 1: at the connector-end of the cable, the shield is connected to the connector housing

Note 2: it is not possible to use SR05-D2A2's digital and analog outputs at the same time



With SR05-D2A2 over TTL, a potential difference exists between the VDC [-] (blue wire) and the common (black wire). This potential difference depends on the current drawn by the sensor. Care must be taken not to short circuit these wires. The TTL



[Tx] (white wire) and TTL [Rx] (gray wire) signals are referenced with respect to the common (black wire). If the TTL device to which SR05-D2A2 is connected requires external power, this power must be drawn from a separate power supply with a floating potential with respect to the power supply used by SR05-D2A2.

5.6 Grounding and use of the shield

Grounding and shield use are the responsibility of the user. The cable shield (called shield in the wiring diagram) is connected to the aluminum instrument body via the connector. In most situations, the instrument will be bolted on a mounting platform that is locally grounded. In these cases the shield at the cable end should not be connected at all. When a ground connection is not obtained through the instrument body, for instance in laboratory experiments, the shield should be connected to the local ground at the cable end. This is typically the ground or low voltage of the power supply or the common of the network. In exceptional cases, for instance when both the instrument and a data logger are connected to a small size mast, the local ground at the mounting platform is the same as the network ground. In such cases ground connection may be made both to the instrument body and to the shield at the cable end.

5.7 Using SR05-D1A3's analog 0 to 1V output

SR05-D1A3 gives users the option to use 0 to 1V output instead of its digital output. When using 0 to 1V output, please read this chapter first. When opting solely for SR05-D1A3's digital output, please continue with the next chapter on SR05-D1A3: Chapter 5.9.

Using the 0 to 1V output provided by SR05-D1A3 is easy. The instrument can be connected directly to commonly used datalogging systems. The irradiance, E , in W/m^2 is calculated by measuring the SR05-D1A3 output, a voltage U , in V, and then multiplying by the transmitted range r . The transmitted range is provided with SR05-D1A3 on its product certificate. By convention 0 W/m^2 irradiance corresponds with 0 V transmitter output voltage. The transmitted range, which is the irradiance at output voltage of 1 V, and is typically 1600 W/m^2 . The transmitted range can be adjusted at the factory upon request.

The central equation governing SR05-D1A3 is:

$$E = r \cdot U \quad \text{(Formula 5.71)}$$

The standard setting is: $E = 1600 \cdot U$. See chapter 5.5 and the diagram below for electrical connections to voltmeters, when using SR05-D1A3's 0 to 1V output.

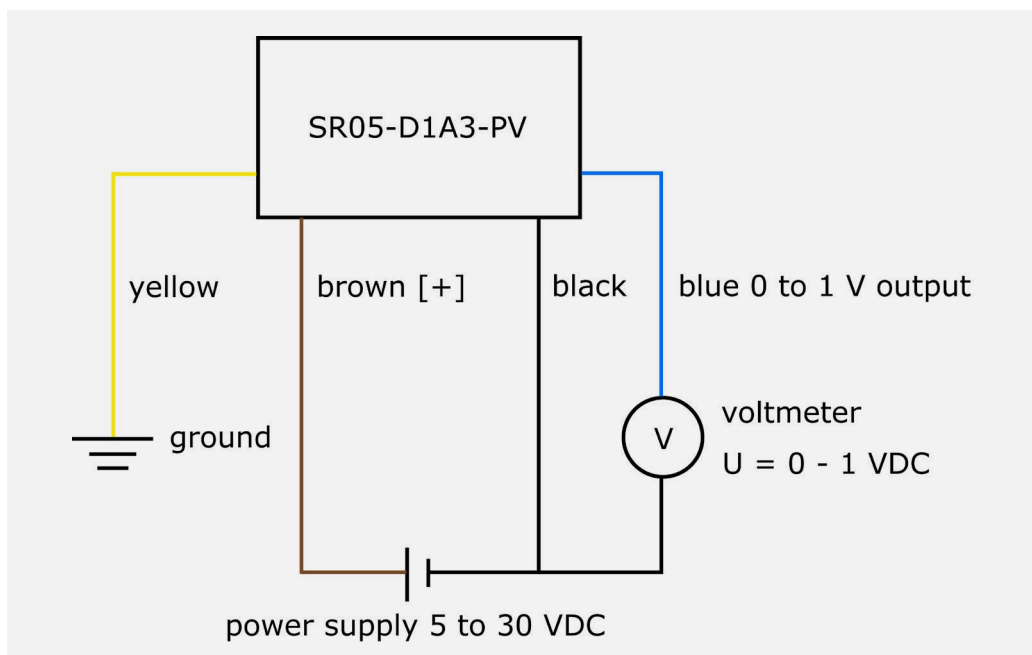


Figure 5.71 Electrical diagram of the connection of SR05-D1A3 to a typical voltmeter or data logger with the capacity to measure voltage signals. SR05-D1A3 operates on a supply voltage of 5 to 30 VDC.

5.8 Using SR05-D2A2's analog 4 to 20 mA output

SR05-D2A2 gives users the option to use 4 to 20 mA output instead of its digital output. When using 4 to 20 mA output, please read this chapter first. When opting solely for SR05-D2A2's digital output, please continue with the next chapter on SR05-D2A2: chapter 5.10.

Using the 4 to 20 mA output provided by SR05-D2A2 is easy. The instrument can be connected directly to commonly used datalogging systems. The irradiance, E , in W/m^2 is calculated by measuring the SR05-D2A2's output, a small current I , subtracting 4×10^{-3} A from it, and then multiplying by the transmitted range r .

The transmitted range is provided with SR05-D2A2 on its product certificate.

By convention $0 W/m^2$ irradiance corresponds with 4×10^{-3} A transmitter output current I . The transmitted range, which is the irradiance at output current of 20×10^{-3} A, and is typically $1600 W/m^2$. The transmitted range can be adjusted at the factory upon request.

The central equation governing SR05-D2A2 is:

$$E = r \cdot (I - 4 \times 10^{-3}) / (16 \times 10^{-3}) \quad (\text{Formula 5.8.1})$$

The standard setting is: $E = 1600 \cdot (I - 4 \times 10^{-3}) / (16 \times 10^{-3})$

To keep offsets resulting from heat dissipation by the electronics to a minimum, it is recommended to power the 4 to 20 mA current output from a 12 VDC power supply.

Table 5.8.1 Requirements for data acquisition and amplification equipment .

capability to

- measure 4 to 20 mA or
- measure currents or
- measure voltages

SR05-D2A2 has a 4 to 20 mA output. There are several possibilities to handle this signal. It is important to realize that the signal wires not only act to transmit the signal but also act as power supply for the 4 to 20 mA current loop circuit. SR05-D2A2 operates on a supply voltage of 5 to 30 VDC.

Some data loggers have a 4 to 20 mA input. In that case SR05-D2A2 can be connected directly to the data logger. Some data loggers have the capability to measure currents. In some cases the data logger accepts a voltage input. Usually a 100Ω precision resistor is used to convert the current to a voltage (this will then be in the 0.4 to 2 VDC range). This resistor must be put in series with the blue wire of the sensor.

See next page and Chapter 5.5 for electrical connections.

See Chapter 5.5 and the diagrams below for electrical connections to am- and voltmeters, when using SR05-D2A2's 4 to 20 mA output.

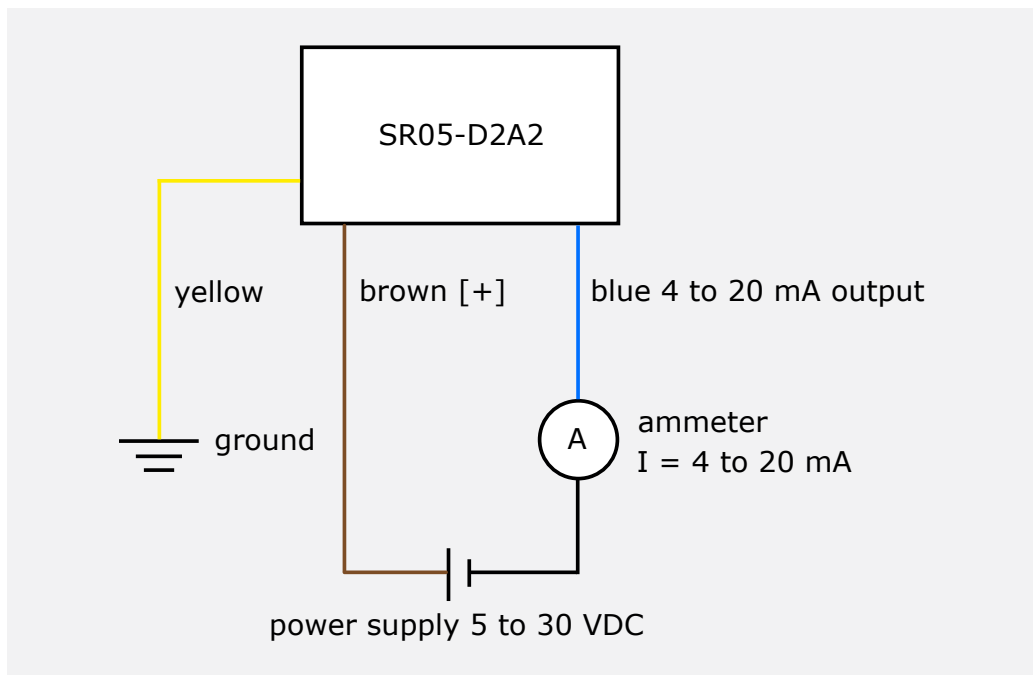


Figure 5.8.1 Electrical diagram of the connection of SR05-D2A2 to a typical ammeter or data logger with capacity to measure current signals. SR05-D2A2 operates on a supply voltage of 5 to 30 VDC.

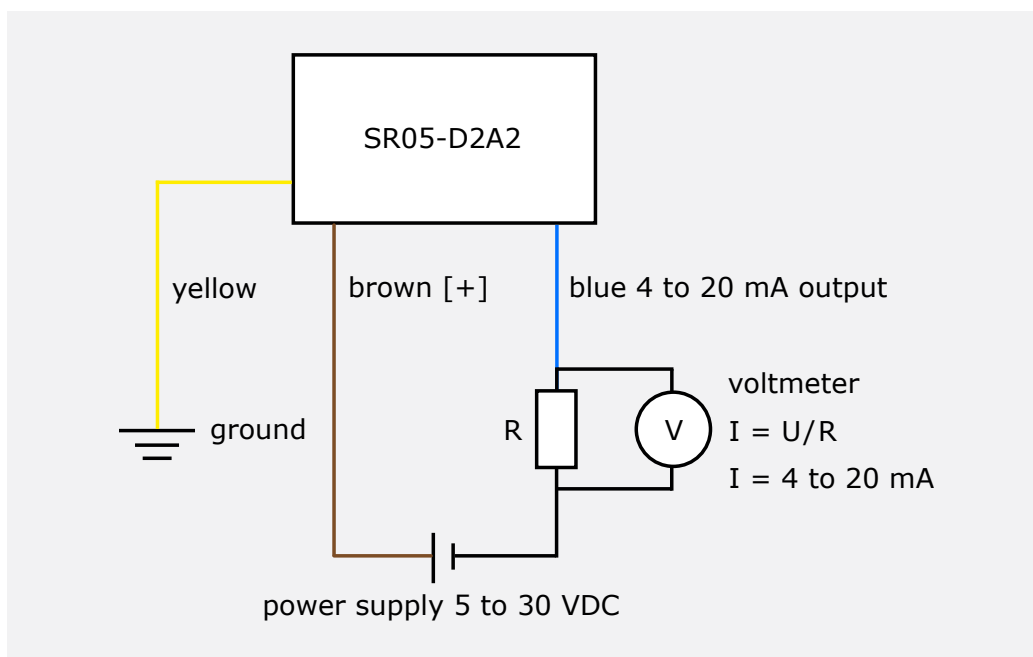


Figure 5.8.2 Electrical diagram of the connection of SR05-D2A2 to a typical voltmeter or data logger with the capacity to measure voltage signals. Usually a 100 Ω shunt resistor (R) is used to convert the current to a voltage. SR05-D2A2 operates on a supply voltage of 5 to 30 VDC.

5.9 Using SR05-D1A3's and SR05-D2A2's digital output

When using SR05's digital output, SR05-D1A3 can be connected to an RS-485 network, whereas SR05-D2A2 can be connected to TTL devices. Both models can be connected to a PC for communication with the Sensor Manager software. The central equation governing SR05-D2A2 is:

5.10 Connecting SR05-D1A3 to an RS-485 network

SR05-D1A3 is suited for a two-wire (half-duplex) RS-485 network. In such a network SR05-D1A3 acts as a slave, receiving data requests from the master. An example of the topology of an RS-485 two-wire network is shown in the figure below. SR05-D1A3 is powered from 5 to 30 VDC. The power supply is not shown in the figure. The VDC [-] power supply ground must be connected to the common line of the network.

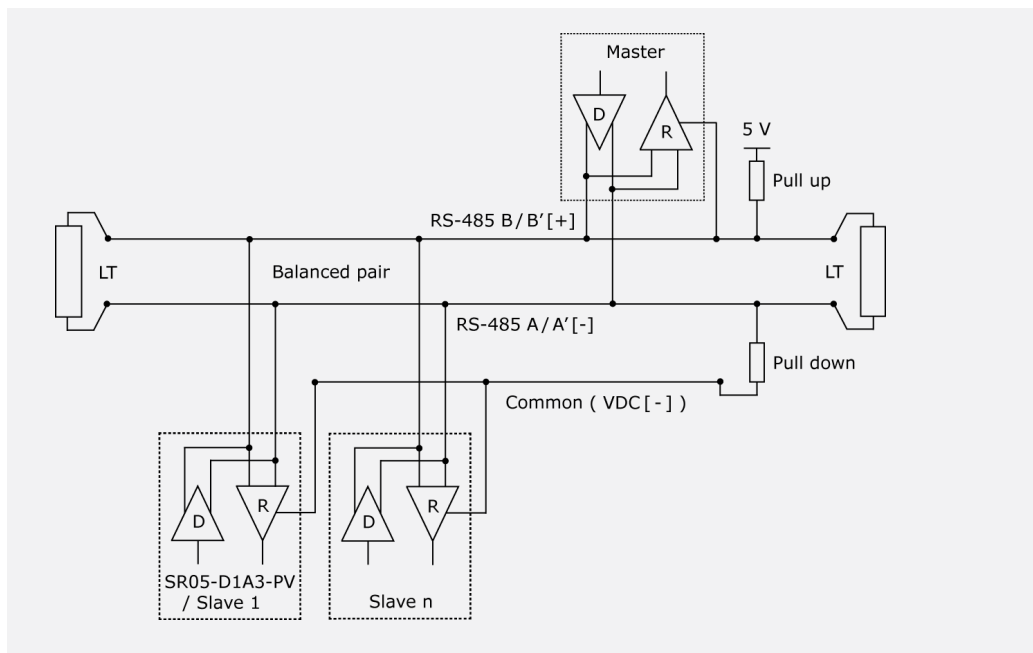


Figure 5.10.1 Typical topology of a two-wire RS-485 network, figure adapted from: Modbus over serial line specification and implementation guide V1.02 (www.modbus.org). The power supply is not shown in this figure.

After the last nodes in the network, on both sides, line termination resistors (LT) are required to eliminate reflections in the network. According to the EIA / TIA-485 standard, these LT have a typical value of 120 to 150 Ω . Never place more than two LT on the network and never place the LT on a derivation cable. To minimize noise on the network when no transmission is occurring, a pull up and pull down resistor are required. Typical values for both resistors are in the range from 650 to 850 Ω .

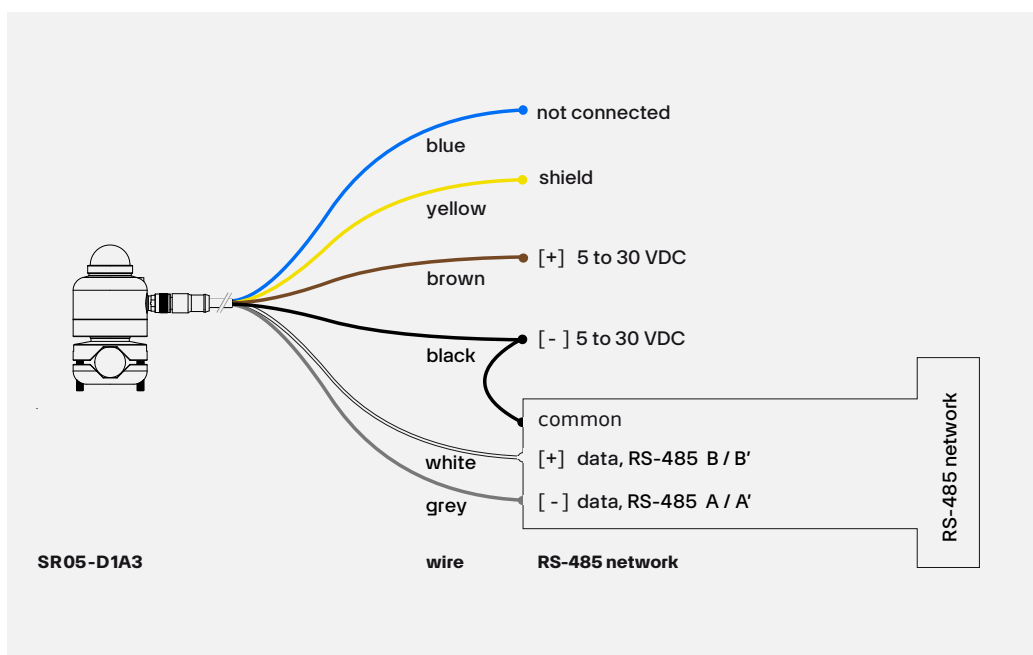


Figure 5.10.2 Connection of SR05-D1A3 to an RS-485 network. SR05-D1A3 is powered by an external power supply of 5 to 30 VDC.

5.11 Connecting SR05-D2A2 to a TTL device

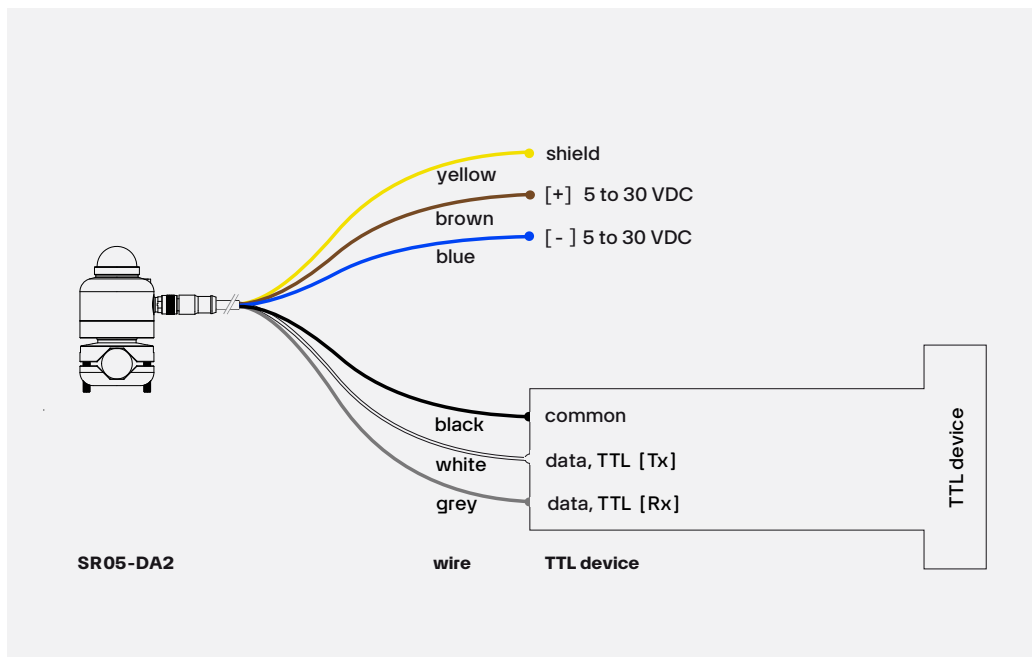


Figure 5.11.1 Connection of SR05-D2A2 to a TTL device, in case SR05-D2A2 is powered by an external power supply of 5 to 30 VDC. SR05-D2A2 acts as Data Communication Equipment (DCE).



With SR05-D2A2 over TTL, a potential difference exists between the VDC [-] (blue wire) and the common (black wire). This potential difference depends on the current drawn by the sensor. Care must be taken not to short circuit these wires. The TTL [Tx] (white wire) and TTL [Rx] (gray wire) signals are referenced with respect to the common (black wire). If the TTL device to which SR05-D2A2 is connected requires external power, this power must be drawn from a separate power supply with a floating potential with respect to the power supply used by SR05-D2A2.

5.12 Connecting SR05 to a PC

Both SR05-D1A3 and SR05-D2A2 can be accessed via a PC. In that case communication with the sensor is done via the user interface offered by the Sensor Manager software (see the next chapters) or by another Modbus testing tool.

5.12.1 Connecting SR05-D1A3 to a PC

Depending on the available ports on the PC, either an RS-485 to USB converter or an RS-485 to RS-232 converter is used. The figure below shows how connections are made. The converter must have galvanic isolation between signal input and output to prevent static electricity or other high-voltage surges to enter the data lines. An external power supply is required to power the SR05-D1A3 (5 to 30 VDC). An RS-485 to USB converter is usually powered via the USB interface: in this case no external power is needed to feed the converter. If an RS-485 to RS-232 converter is used, this converter should be powered by an external source. This may be the same supply used for the SR05-D1A3.

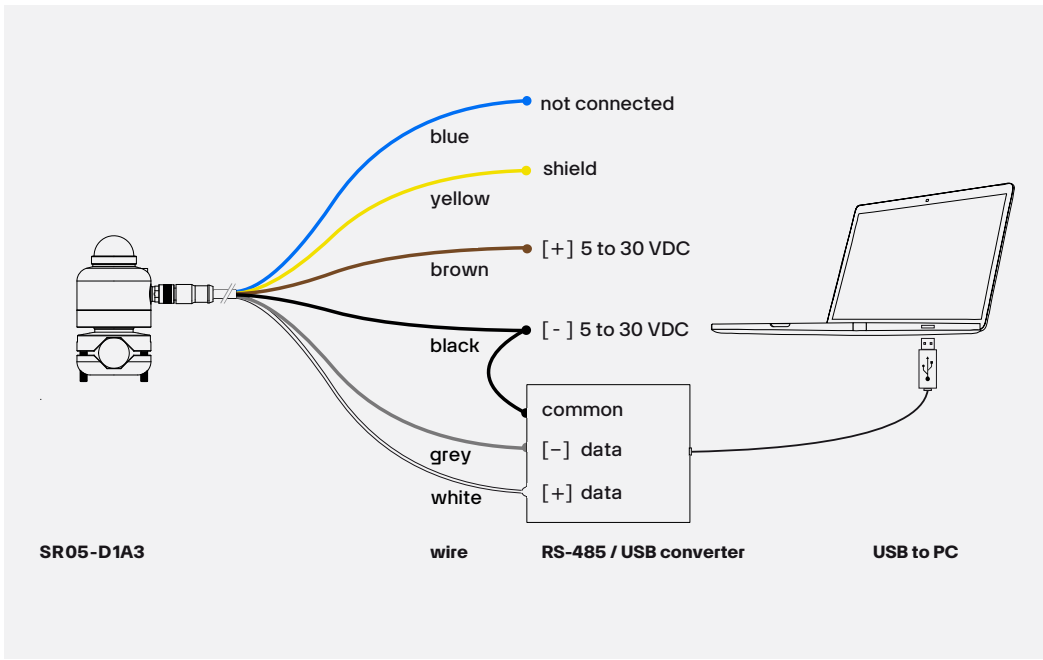


Figure 5.12.1.1 Connecting SR05-D1A3 to an RS-485 to USB converter and a PC.

5.12.2 Connecting SR05-D2A2 to a PC

Depending on the available ports on the PC, either a TTL to USB converter or a TTL to RS-232 converter is used. The figure on the next page shows how connections are made. The converter must have galvanic isolation between signal input and output to prevent static electricity or other high-voltage surges to enter the data lines. An external power supply is required to power the SR05-D2A2 (5 to 30 VDC). A TTL to USB converter is usually powered via the USB interface: in this case no external power is needed to feed the converter. If a TTL to RS-232 converter is used, this converter should be powered by an external source. This may be the same supply used for the SR05-D2A2.

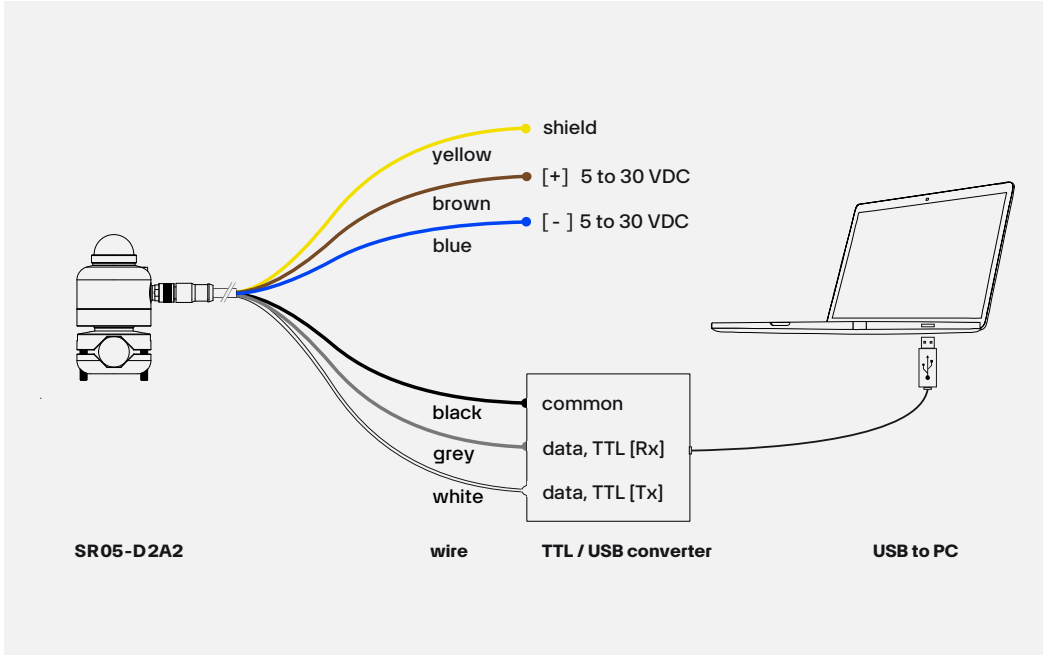


Figure 5.12.2.1 Connecting SR05-D2A2 to a TTL to USB converter and a PC. SR05-D2A2 acts as Data Communication Equipment (DCE).

6 Communication with SR05

6.1 PC communication: Sensor Manager software

The digital SR05 series can be accessed via a PC. In that case the communication with the sensor is done via the user interface offered by the Hukx Sensor Manager software or by another Modbus testing tool. The Sensor Manager can be downloaded by the user via <https://hukx.com/downloads>. Alternatively, there are links to testing tools, paid or freeware, available at <https://www.modbus.org/>.

This chapter describes the functionality of the Sensor Manager only.

The Hukx Sensor Manager software provides a user interface for communication between a PC and SR05. It allows the user to locate, configure and test one or more SR05's and to perform simple laboratory measurements using a PC.

The Sensor Manager's most common use is for initial functionality testing and modification of the SR05 Modbus address and communication settings. It is not intended for long-term continuous measurement purposes. For available software updates of the Sensor Manager, please check <https://hukx.com/downloads>.

6.1.1 Installing the Sensor Manager

Running the Sensor Manager requires installation of the latest version of Java Runtime Environment software. Java Runtime Environment may be obtained free of charge from <https://www.java.com/en/>. The SR05 specifications overview (Table 3.1.1) shows the system and software requirements for using a PC to communicate with SR05.

1. Download the Hukx Sensor Manager via <https://hukx.com/downloads>.
2. Unzip the downloaded files and copy the folder "Hukx Sensor Manager" to a folder on a PC. For proper installation the user should have administrator rights for the PC.
3. Double-click "Hukx_Sensor_Manager.jar" in the folder "Hukx Sensor Manager". This will start up the Sensor Manager.

6.1.2 Troubleshooting during Sensor Manager installation

When Java Runtime Environment software is not installed, a Windows message comes up, displaying "the file "Hukx_Sensor_Manager.jar" could not be opened". The solution is to install Java Runtime Environment on the PC and try again.

6.1.3 Sensor Manager: main window

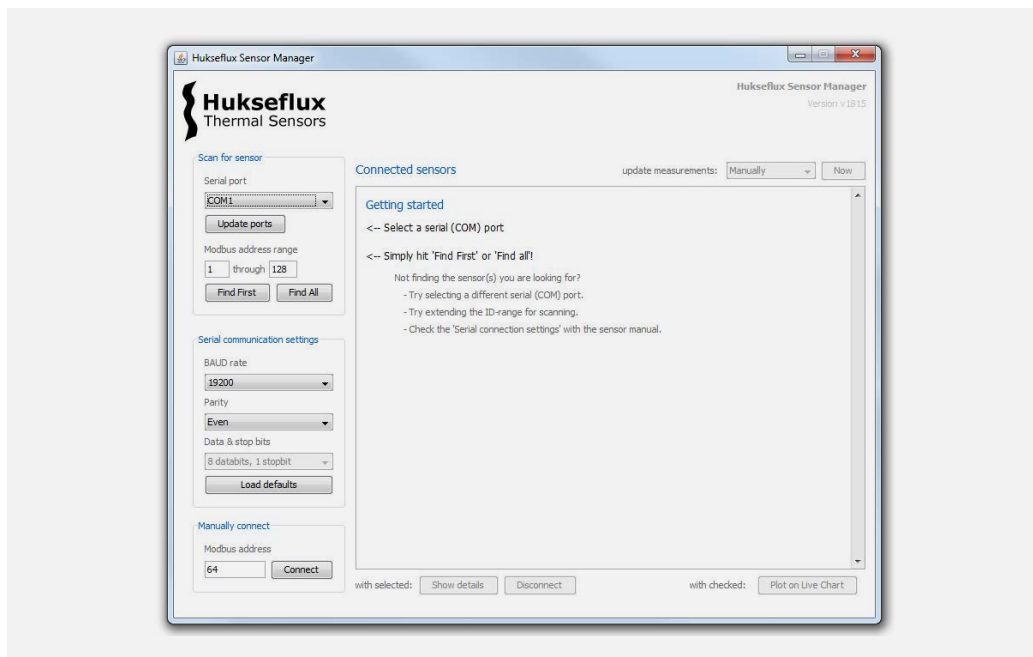


Figure 6.1.3.1 Main window of the Sensor Manager.

When the Sensor Manager is started and a digital SR05 is connected to the PC, the user can communicate with the instrument.

If the instrument address and communication settings are known, the serial connection settings and the Modbus address can be entered directly. Clicking “Connect” will establish contact.

If the instrument address and communication settings are not known, the instrument is found by using the “Find First” or “Find All” function. The Sensor Manager scans the specified range of Modbus addresses, however only using the “Serial connection settings” as indicated on screen. When only one sensor is connected, using “Find First” is suggested because the operation stops when a sensor is found. “Find all” will continue a scan of the complete range of Modbus addresses and may take extra time.

If the “Find First” or “Find all” operation does not find instruments, a dialog box opens, asking to confirm a scan of the address range using all possible communication settings. The time this operation takes, depends on the address range to be scanned. To complete a scan of 247 addresses will take over 15 minutes. When an instrument is found, a dialog box opens providing its serial number, Modbus address and communication settings. Communicating with the instrument is possible after changing the communication settings and Modbus address in the main window to the values of the instrument, and then clicking “Connect”.

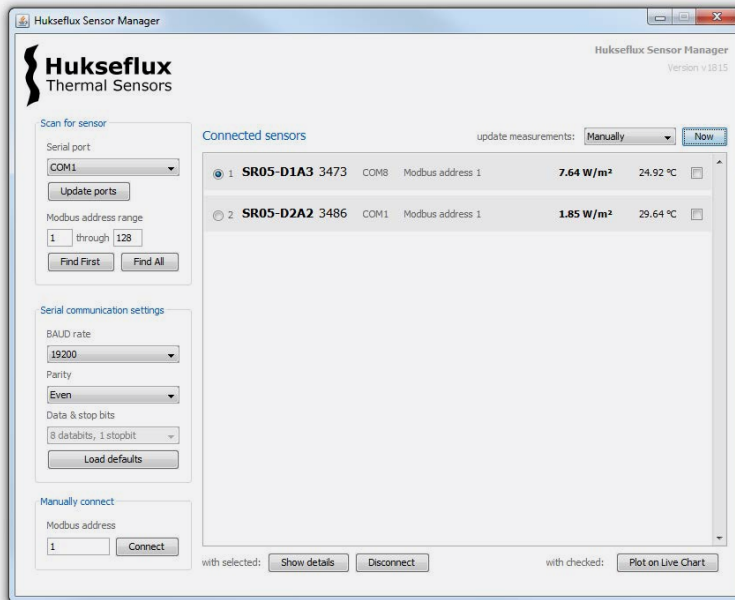


Figure 6.1.3.2 Sensor Manager main window with two connected SR05's.

When an instrument is found, temperature and irradiance data are displayed. Updates are done manually or automatically. Automatic updates can be made every second, every 5 seconds or every minute.

6.1.4 Sensor Manager: plotting data

When the "Plot on Live Chart" button in the lower right corner is clicked the "Plot window" opens. A live graph is shown of the measurement with the selected instrument. The x-axis, time, is scaled automatically to display data of the complete measurement period. After checking the box "Show tail only", only the last minutes of measured data are displayed. When the "update interval" is 1 second, the "Show tail only" function is available after around 10 minutes of data collection. The y-axis displays the measured irradiance in W/m^2 . The Y-axis automatically scales to display the full measured range.

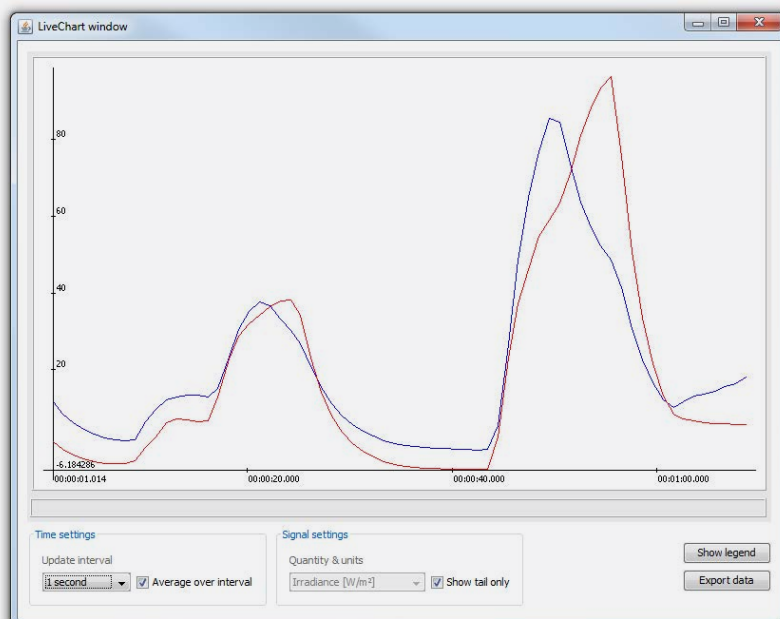


Figure 6.1.4.1 Example of an DR30 irradiance plot in the Sensor Manager.

6.1.5 Sensor Manager: information about the instrument

The main window shows the "Show details" button, giving access to the "Sensor details" window. This window displays calibration results and calibration history, temperature coefficients and other properties of the selected instrument, as shown on the next page. The sensor serial number and all calibration information should match the information on the instrument label and on the product certificate.

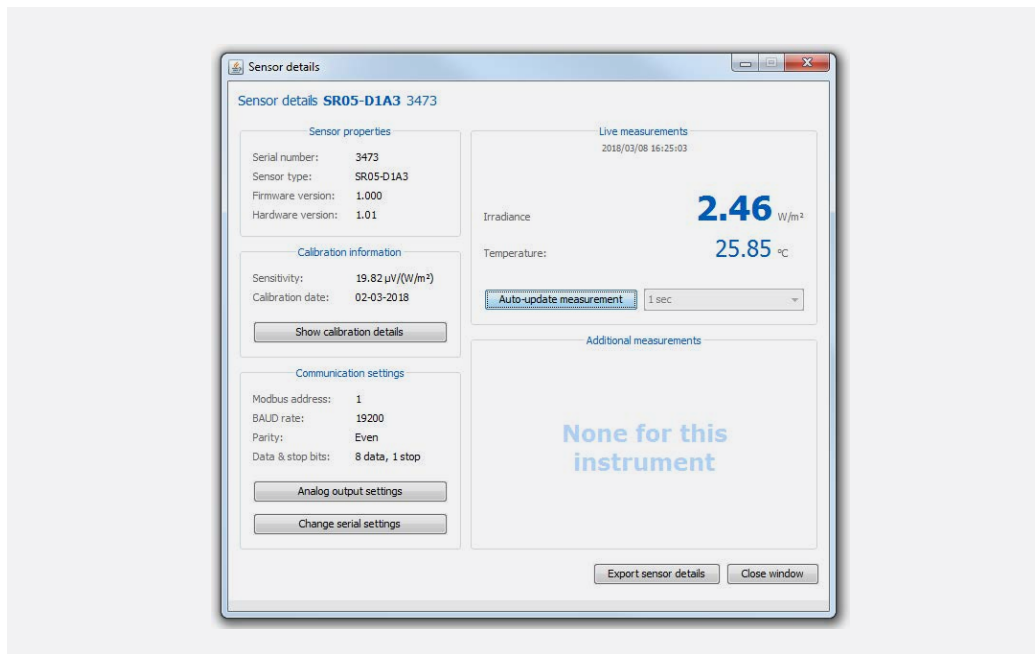


Figure 6.1.5.1 Sensor details window in the Sensor Manager.

6.1.6 Sensor Manager: changing Modbus address and communication settings

In the "Sensor details" window the "Change serial settings" function opens the "Change serial communication settings" window, as shown in the figure below.

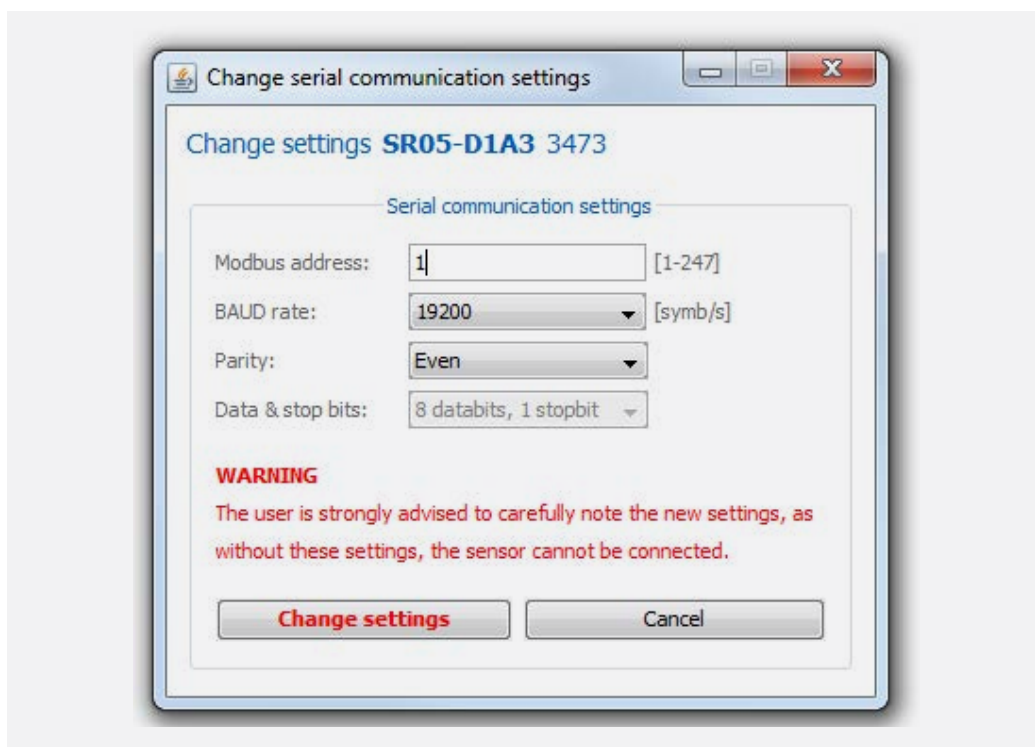


Figure 6.1.6.1 Change serial communication settings window in the Sensor Manager.

When new communication settings or a new Modbus address are entered, these need to be confirmed by clicking "Change settings". The instrument will then automatically restart. In case the "Change settings" function is not activated, the original settings remain valid. If the Modbus address is changed, the Sensor Manager will automatically reconnect with the instrument using the new address after restart.

6.1.7 Sensor Manager: adjustment of the sensitivity by power users

The Sensor Manager does not allow a "standard user" to change any settings that have a direct impact on the instrument output, i.e. the irradiance in W/m^2 . However, in case the instrument is recalibrated it is common practice that the sensitivity is adjusted, and that the latest result is added to the calibration history records. This can be done after obtaining a password and becoming a "power user". Please contact the factory to obtain the password and to get directions to become a "power user".

Example: During a calibration experiment, the result might be that SR05 has an irradiance output in W/m^2 that is 990, whereas the standard indicates it should be 970. The SR05 output is in this example 2.06 % too high. The original sensitivity of $16.15 \times 10^{-6} V/(W/m^2)$ ought to be changed to 16.48, using registers 41 + 42. The old calibration result is recorded in the calibration history file. In case there are still older results these are moved over to higher register numbers 63 to 81.

6.2 Network communication: function codes, registers, coils

Warning: Using the same Modbus address for more than one device will lead to irregular behavior of the entire network. This chapter describes function codes, data model and registers used in the SR05 firmware. Communication is organized according to the specifications provided by the Modbus Organization. These specifications are explained in the documents "Modbus application protocol v1.1b" and "Modbus over serial line v1.02". These documents can be acquired free of charge at <https://www.modbus.org/>.

Table 6.2.1 Supported Modbus function codes.

Supported modbus function codes	
function code (HEX)	description
0x01	Read Coils
0x02	Read Discrete Inputs
0x03	Read Holding Registers
0x04	Read Input Register
0x05	Write Single Coil
0x06	Write Single Holding Register
0x0F	Write Multiple Coils
0x10	Write Multiple Registers

Table 6.2.2 Modbus data model.

modbus data model		
primary tables	object type	type of
discrete input	single bit	R
coil	single bit	R/W
input register	16 bit word	R
holding register	16 bit word	R/W

R = read only, W = write only, R/W = read/write

The instrument does not distinguish between discrete input and coil; neither between input register and holding register.

Table 6.2.3 Format of data.

format of data	description
U16	unsigned 16 bit integer
S16	signed 16 bit integer
U32	unsigned 32 bit integer
S32	signed 32 bit integer
float	IEEE 754 32 bit floating point format
string	a string of ASCII characters

The data format includes signed and unsigned integers. The difference between these types is that a signed integer passes on negative values, which reduces the range of the integer by half. Up to five 16 bit registers can be requested in one request; if requesting six or more registers, multiple requests should be used.

If the format of data is a signed or an unsigned 32 bit integer, the first register received is the most significant word (MSW) and the second register is the least significant word (LSW). This way two 16 bit registers are reserved for a 32 bit integer. If the format of data is float, it is a 32 bit floating point operator and two 16 bit registers are reserved as well. Most network managing programs have standard menus performing this type of conversion. In case manual conversion is required, see the appendix on conversion of a floating point number to a decimal number. MSW and LSW should be read together in one request. This is necessary to make sure both registers contain the data of one internal voltage measurement. Reading out the registers with two different instructions may lead to the combination of LSW and MSW of two measurements at different points in time.

An Unsigned 32 bit integer can be calculated by the formula: $(MSW \times 2^{16}) + LSW = U32$. An example of such a calculation is available in the paragraph "Network communication: example master request to SR05".



Your data request may need an offset of +1 for each SR05 register number, depending on processing by the network master. Example: SR05 register number 7 + master offset = 7 + 1 = master register number 8. Consult the manual of the device acting as the local master.

Table 6.2.4 Modbus registers 0 to 31, measurements. For basic operation, Hukx recommends to read out registers 2 + 3 for solar radiation, register 6 for instrument body temperature and register 40 for the sensor serial number.services.

Modbus registers 0-31				
register number	parameter	description of content	type of	format of data
0	Modbus address	sensor address in Modbus network, default = 1	R/W	U16
1	serial communication settings	sets the serial communication, default = 5	R/W	U16
2 + 3	irradiance (temperature compensated signal)	temperature compensated signal in x 0.01 W/m ²	R	S32
4 + 5	irradiance (uncompensated signal)	uncompensated signal in x 0.01 W/m ²	R	S32
6	sensor body temperature	in x 0.01 °C	R	S16
7	sensor electrical resistance	in x 0.1 Ω	R	U16
8	scaling factor irradiance	default = 100	R	U16
9	scaling factor temperature	default = 100	R	U16
10 + 11	sensor voltage output	in x 10 ⁻⁹ V	R	S32
12 to 31	factory use only			

Register 0, Modbus address, contains the Modbus address of the sensor.

This allows the Modbus master to detect the slave, SR05-D1A3, in its network.

The address can be changed; the value of the address must be between 1 and 247.

The default Modbus address is 1.

Note: The sensor needs to be restarted before changes become effective.

Register 1, Serial communication settings, is used to enter the settings for baud rate

and the framing of the serial data transfer. Default setting is setting number 5: 19200

baud, 8 data bits, even parity and 1 stop bit.

Setting options are shown in the table below.

Note: The sensor needs to be restarted before changes become effective.

Table 6.2.5 Setting options of register 1.

Setting options					
setting number	baud rate	databits	stopbits	parity	
1	9600	8	1	none	
2	9600	8	1	even	
3	9600	8	1	odd	
4	19200	8	1	none	
5 (= default)	19200	8	1	even	
6	19200	8	1	odd	
7	38400	8	1	none	
8	38400	8	1	even	
9	38400	8	1	odd	
10	115200	8	1	none	
11	115200	8	1	even	
12	115200	8	1	odd	

Register 2 + 3, Irradiance (temperature compensated signal), provides the temperature compensated solar radiation output in 0.01 W/m^2 . The value given must be divided by 100 to get the value in W/m^2 . Hukx recommends using this data to achieve the highest accuracy. MSW and LSW should be read together in one request.

Register 4 + 5, Irradiance (uncompensated signal). Use for comparison purposes only. Provides the sensor output in 0.01 W/m^2 , not compensated for temperature dependence. The data must be divided by 100 to get the value in W/m^2 . Hukx recommends not to use this data. MSW and LSW should be read together in one request.

Register 6, Instrument body temperature, provides the temperature of the instrument body in $0.01 \text{ }^\circ\text{C}$. The data must be divided by 100 to achieve the value in $^\circ\text{C}$.

Register 7, Sensor electrical resistance, sensor resistance in 0.1Ω . The data needs to be divided by 10 to get the value in Ω . This register returns a 0 by default. To read the resistance, first a measurement has to be performed. This can be done by writing 0xFF00 to coil 2. Hukx recommends to use this function only when necessary for diagnostics in case of sensor failure.

Register 8, Scaling factor irradiance, default scaling factor is 100.

Register 9, Scaling factor temperature, default scaling factor is 100.

Register 10 + 11, Sensor voltage output, sensor voltage output signal of the thermopile in $\times 10^{-9}$ V.

Table 6.2.6 Modbus registers 32 to 62, sensor and calibration information.

register number	parameter	description of content	type of	format of data
32 to 35	sensor model	part one of sensor description	R	string
36 to 39	sensor model	part two of sensor description	R	string
40	sensor serial number		R	U16
41 + 42	sensor sensitivity	in $\times 10^{-6}$ V/(W/m ²)	R	float
43	response time	in $\times 0.1$ s	R	U16
44	sensor resistance	in $\times 0.1$ Ω	R	U16
45	reserved	always 0	R	U16
46 + 47	sensor calibration date	calibration date of the sensor in YYYYMMDD	R	U32
48 to 60	factory use		R	
61	firmware version		R	U16
62	hardware version		R	U16

Registers 32 to 39, Sensor model, String of 8 registers. These registers will return 8 numbers which can be decoded to find the sensor model name. SR05-D1A3 sensors with serial number 3819 or higher and SR05-D2A2 sensors with serial number 3524 or higher use method A for storing the name in these registers. Sensors with lower serial numbers than these (mostly SR05-DA1 and SR05-DA2 sensors) use method B. Method A and B are explained in Appendix 9.12 of this manual.

Register 40, Sensor serial number.

Register 41 + 42, Sensor sensitivity, the sensitivity of the sensor in $\times 10^{-6}$ V/(W/m²). Format of data is float.

Register 44, Sensor electrical resistance, returns the electrical resistance measured during the sensor calibration. The resistance is in $\times 0.1 \Omega$ and must be divided by 10 to get the value in Ω .

Register 46 + 47, Sensor calibration date, last sensor calibration date, from which the sensitivity in register 41 and 42 was found, in YYYYMMDD.

Register 61, Firmware version.

Register 62, Hardware version.

Table 6.2.7 Modbus registers 63 to 81, calibration history.

Modbus registers 63-81				
register number	parameter	description of content	type of	format of data
63 + 64	sensor sensitivity history 1	in $\times 10^{-6} V/(W/m^2)$ default value is 0	R	float
65 + 66	calibration date history 1	former calibration date of the sensor in YYYYMMDD default value is 0	R	U32
67 + 68	sensor sensitivity history 2	see register 63 + 64	R	float
69 + 70	calibration date history 2	see register 65 + 66	R	U32
71 + 72	sensor sensitivity history 3	see register 63 + 64	R	float
73 + 74	calibration date history 3	see register 65 + 66	R	U32
75 + 76	sensor sensitivity history 4	see register 63 + 64	R	float
77 + 78	calibration date history 4	see register 65 + 66	R	U32
79 + 80	sensor sensitivity history 5	see register 63 + 64	R	float
81 + 82	calibration date history 5	see register 65 + 66	R	U32

Register 63 to 82: Only accessible for writing by Sensor Manager power users: power users can write calibration history to registers 63 to 82. If default values are returned, no re-calibration has been written. Last calibration sensitivity and calibration date are available in register 41 + 42 and 46 + 47 respectively.



Please note that if your data request needs an offset of +1 for each SR05 register number, depending on processing by the network master, this offset applies to coils as well. Consult the manual of the device acting as the local master.

Table 6.2.8 Coils.

Coils				
coil	parameter	description	type of	object type
0	restart	restart the sensor	W	single bit
1	reserved			
2	check	measure sensor electrical resistance	W	single bit

Coil 0, Restart, when 0xFF00 is written to this coil the sensor will restart. If applied, a new Modbus address or new serial settings will become effective.

Coil 2, Check, when 0xFF00 is written to this coil the internal electronics will measure the electrical resistance of the thermopile. After the measurement, a new value will be written into register 7. Requesting to write this coil with a high repetition rate will result in irregular behavior of the sensor; the check must be executed as an exceptional diagnostics routine only.

6.3 Network communication: getting started

Once it has the correct Modbus address and communication settings, SR05-D1A3 can be connected directly to an RS-485 network and a power supply. How to physically connect a sensor as a slave in a Modbus network is shown in chapter 5.11: Connecting a SR05-D1A3 to an RS-485 network. In such a connection the sensor is powered via an external power supply of 5 to 30 VDC. When the sensor is bolted onto a grounded mounting plate, which is usually the case, the shield is not connected to ground at the cable end.

Installing a SR05-D1A3 in the network also requires configuring the communication for this new Modbus device. This usually consists of defining a request that can be broadcast by the master. If the SR05-D1A3 is not already defined as a standard sensor type on the network, contact the supplier of the network equipment to see if a library file for the SR05-D1A3 is available.

Typical operation requires the master to make a request of irradiance data in registers 2 + 3, sensor temperature in register 6, and the sensor serial number in register 40 every 1 second, and store the 60 second averages. The data format of register 2 + 3 is a signed 32 bit integer and the temperature in register 6 is a signed 16 bit integer.

Up to five 16 bit registers can be requested in one request. In case six or more registers are requested in just one request, SR05-D1A3 will not respond.

If requesting six or more registers, multiple requests should be used: SR05-D1A3 will respond as expected.

6.3.1 Adapting Modbus address and communication settings

Setting the instrument address and baud rate can be done in different ways:

- by connecting the sensor to the PC and using the Sensor Manager;
- by connecting the sensor to the PC and using another Modbus testing tool.

There are links to different solutions available at <https://www.modbus.org/>;

- by using the available network user interface software.

The Modbus address is stored in register 0 and has a default value of 1. A user may change the address to a value in the range of 1 to 247. The address value must be unique in the network. The communication settings are stored in register 1. The default setting is setting number 5 representing a communication with 19200 baud, even parity bit, 8 data bits and 1 stop bit. After a new address or communication setting is written the sensor must be restarted. This can be done by writing 0XFF00 to coil 0.

6.4 Network communication: example master request to SR05

Normal sensor operation consists of requesting the output of registers 2 + 3; the temperature compensated solar radiation. For quality assurance also the sensor serial number, register 40 and the temperature in register 6, are useful.

In this example a SR05 has address 64. The example requests the solar radiation (temperature compensated) register 2 + 3, sensor serial number, register 40, and the temperature of the instrument register 6. The values are represented in hexadecimals.

Note: 32 bit data are represented in 2 registers. MSW and LSW should be read together in one request.

Request for solar radiation, register 2 + 3:

Master Request:

[40] [03] [00][00] [00][04] [4B][18]

[40] = Modbus slave address, decimal equivalent = 64

[03] = Modbus function; 03 Read holding registers

[00][00] = Starting register, the master requests data starting from register 0.

[00][04] = Length, the number of registers the master wants to read. 4 registers

[4B][18] = CRC, the checksum of the transmitted data

Sensor response:

[40][03][08][00][40][00][05][00][01][7C][4F][79][DA]

[40] = Modbus slave address, decimal equivalent = 64

[03] = Modbus function

[08] = Number of bytes returned by the sensor. 8 bytes transmitted by the sensor

[00][40] = Register 0; Modbus address

[00][05] = Register 1; Serial settings, 19200 baud, 8 data bits, even parity bit, 1 stop bit

[00][01] = Register 2; Temperature compensated signal, Most Significant Word (MSW). Decimal equivalent = 1

[7C][4F] = Register 3; Temperature compensated signal, Least Significant Word (LSW) = Decimal equivalent = 31823

[79][DA] = CRC, the checksum of the transmitted data

Together, register 2 and 3 are representing the temperature compensated solar radiation output measured by the SR05-D1A3. The MSW is in register 2 and the LSW in 3. The output has to be calculated by the formula: $((MSW \times 216) + LSW)/100$. In this example the result is: $((216 \times 1) + 31823)/100 = 973.59 \text{ W/m}^2$

Request for body temperature, register 6:

Master Request:

[40][03][00][06][00][01][6B][1A]

[40] = Modbus Slave address

[03] = Modbus function

[00][06] = Start register

[00][01] = Number of registers

[6B][1A] = CRC

Sensor response:

[40][03][02][08][B1][43][FF]

[40] = Modbus Slave address

[03] = Modbus function

[02] = Number of bytes

[08][B1] = Content of register 7, decimal equivalent = 2225

[43][FF] = CRC

Temperature = Register 7 x 0.01 = 2225 x 0.01 = 22.25 °C

Register 6 represents the sensors body temperature. The received data needs to be divided by 100 to represent the correct outcome. In this example the result is: 2225 x 0.01 = 22.25 °C

Request for serial number, register 40:

Master Request:

[40][03][00][28][00][01][0B][13]

[40] = Modbus slave address

[03] = Modbus function

[00][28] = Start register

[00][01] = Number of registers

[0B][13] = CRC

Sensor response:

[40][03][02][0A][29][43][35]

[40] = Modbus Slave address

[03] = Modbus function

[02] = Number of bytes

[0A][29] = Content of register 40, decimal equivalent = 2601

[43][35] = CRC

Register 40 represents the sensors serial number.

In this example the serial number is 2601.

7 Making a dependable measurement

7.1 The concept of dependability

A measurement with a pyranometer is called “dependable” if it is reliable, i.e. measuring within required uncertainty limits, for most of the time and if problems, once they occur, can be solved quickly.

The requirements for a measurement with a pyranometer may be expressed by the user as:

- required uncertainty of the measurement (see following paragraphs)
- requirements for maintenance and repairs (possibilities for maintenance and repair including effort to be made and processing time)
- a requirement to the expected instrument lifetime (until it is no longer feasible to repair)

It is important to realise that the uncertainty of the measurement is not only determined by the instrument but also by the way it is used.

See also ISO 9060 note 5. In case of pyranometers, the measurement uncertainty as obtained during outdoor measurements is a function of:

- the instrument class
- the calibration procedure/uncertainty
- the duration of instrument employment under natural sunlight (involving the instrument stability specification)
- the measurement conditions (such as tilting, ventilation, shading, instrument temperature)
- maintenance (mainly fouling)
- the environmental conditions*

Therefore, ISO 9060 says, “statements about the overall measurement uncertainty under outdoor conditions can only be made on an individual basis, taking all these factors into account”.

* defined at Hukx as all factors outside the instrument that are relevant to the measurement such as the cloud cover (presence or absence of direct radiation), sun position, the local horizon (which may be obstructed) or condition of the ground (when tilted). The environmental conditions also involve the question whether or not the measurement at the location of measurement is representative of the quantity that should be measured.

7.2 Reliability of the measurement

A measurement is reliable if it measures within required uncertainty limits for most of the time. We distinguish between two causes of unreliability of the measurement:

- related to the reliability of the pyranometer and its design, manufacturing, calibration (hardware reliability).
- related to the reliability of the measurement uncertainty (measurement reliability), which involves hardware reliability as well as condition of use.

Most of the hardware reliability is the responsibility of the instrument manufacturer. The reliability of the measurement however is a joint responsibility of instrument manufacturer and user. As a function of user requirements, taking into account measurement conditions and environmental conditions, the user will select an instrument of a certain class, and define maintenance support procedures.

In many situations there is a limit to a realistically attainable accuracy level. This is due to conditions that are beyond control once the measurement system is in place. Typical limiting conditions are:

- the measurement conditions, for instance when working at extreme temperatures when the instrument temperature is at the extreme limits of the rated temperature range.
- the environmental conditions, for instance when installed at a sub-optimal measurement location with obstacles in the path of the sun.
- other environmental conditions, for instance when assessing PV system performance and the system contains panels at different tilt angles, the pyranometer measurement may not be representative of irradiance received by the entire PV system.

The measurement reliability can be improved by maintenance support. Important aspects are:

- dome fouling by deposition of dust, dew, rain or snow. Fouling results in undefined measurement uncertainty (sensitivity and directional error are no longer defined). This should be solved by regular inspection and cleaning.
- sensor instability. Maximum expected sensor aging is specified per instrument as its non-stability in [% change/year]. In case the sensor is not recalibrated, the uncertainty of the sensitivity gradually will increase. This is solved by regular recalibration.
- moisture condensing under pyranometer domes resulting in a slow change of sensitivity (within specifications). This is solved by regular replacement of desiccant or by maintenance (drying the entire sensor) in case the sensor allows this. For non-serviceable sensors like most second class pyranometers, this may slowly develop into a defect. For first class and secondary standard models (for instance model SR11 first class pyranometer and SR20-D2 digital secondary standard pyranometer) extra desiccant (in a set of 5 bags in an air tight bag) is available.

Another way to improve measurement reliability is to introduce redundant sensors.

- the use of redundant instruments allows remote checks of one instrument using the other as a reference, which leads to a higher measurement reliability.
- in PV system performance monitoring, in addition to instruments measuring in the plane of array, horizontally placed instruments are used for the measurement of global radiation. Global irradiance data enable the user to compare the local climate and system efficiency between different sites. These data can also be compared to measurements by local meteorological stations.

7.3 Speed of repair and maintenance

Dependability is not only a matter of reliability but also involves the reaction to problems; if the processing time of service and repairs is short, this contributes to the dependability.

Hukx pyranometers are designed to allow easy maintenance and repair.

The main maintenance actions are:

- replacement of desiccant
- replacement of cabling

For optimisation of dependability a user should:

- design a schedule of regular maintenance
- design a schedule of repair or replacement in case of defects

When operating multiple instruments in a network Hukx recommends keeping procedures simple and having a few spare instruments to act as replacements during service, recalibrations and repair.

7.4 Uncertainty evaluation

The uncertainty of a measurement under outdoor or indoor conditions depends on many factors, see Paragraph 1 of this chapter. It is not possible to give one figure for pyranometer measurement uncertainty. The work on uncertainty evaluation is "in progress". There are several groups around the world participating in standardization of the method of calculation. The effort aims to work according to the guidelines for uncertainty evaluation (according to the "Guide to Expression of Uncertainty in Measurement" or GUM).

7.4.1 Evaluation of measurement uncertainty under outdoor conditions

Hukx actively participates in the discussions about pyranometer measurement uncertainty; we also provide spreadsheets, reflecting the latest state of the art, to assist our users in making their own evaluation. The input to the assessment is summarized:

1. The formal evaluation of uncertainty should be performed in accordance with ISO 98-3 *Guide to the Expression of Uncertainty in Measurement*, GUM.
2. The specifications of the instrument according to the list of ISO 9060 classification of pyranometers and pyrhemometers are entered as limiting values of possible errors, to be analyzed as type B evaluation of standard uncertainty per Paragraph 4.3.7. of GUM. A priori distributions are chosen as rectangular.
3. A separate estimate has to be entered to allow for estimated uncertainty due to the instrument maintenance level.
4. The calibration uncertainty has to be entered. Please note that HUKX calibration uncertainties are lower than those of alternative equipment. These uncertainties are entered in measurement equation (equation is usually Formula 0.1: $E = U/S$), either as an uncertainty in E (zero offsets, directional response) in U (voltage readout errors) or in S (tilt error, temperature dependence, calibration uncertainty).
5. In uncertainty analysis for pyranometers, the location and date of interest is entered. The course of the sun is then calculated, and the direct and diffuse components are estimated, based on a model; the angle of incidence of direct radiation is a major factor in the uncertainty.
6. In uncertainty analysis for modern pyrhemometers: tilt dependence often is so low that one single typical observation may be sufficient.
7. In case of special measurement conditions, typical specification values are chosen. These should for instance account for the measurement conditions (shaded/unshaded, ventilated/unventilated, horizontal/tilted) and environmental conditions (clear sky/cloudy, working temperature range).
8. Among the various sources of uncertainty, some are "correlated"; i.e. present during the entire measurement process, and not cancelling or converging to zero when averaged over time; the off-diagonal elements of the covariance matrix are not zero. Paragraph 5.2 of GUM.
9. Among the various sources of uncertainty, some are "uncorrelated"; cancelling or converging to zero when averaged over time; the off-diagonal elements of the covariance matrix are zero. Paragraph 5.1 of GUM.
10. Among the various sources of uncertainty, some are "not included in analysis"; this applies for instance to non-linearity for pyranometers, because it is already included in the directional error, and the spectral response for pyranometers and pyrhemometers because it is already taken into account in the calibration process.

Table 7.4.1.1 Preliminary estimates of achievable uncertainties of measurements with Hukx pyranometers. The estimates are based on typical pyranometer properties and calibration uncertainty, for sunny, clear sky days and well maintained stations, without uncertainty loss due to lack of maintenance and due to instrument fouling. The table specifies expanded uncertainties with a coverage factor of 2 and confidence level of 95 %. Estimates are based on 1 s sampling. **IMPORTANT NOTE:** there is no international consensus on uncertainty evaluation of pyranometer measurements, so this table should not be used as a formal reference.

pyrheliometer class (ISO 9060)	season	latitude	uncertainty minute totals at solar noon	uncertainty hourly totals at solar noon	uncertainty daily totals
secondary standard	summer	mid-latitude	2.7 %	2.0 %	1.9 %
		equator	2.6 %	1.9 %	1.7 %
		pole	7.9 %	5.6 %	4.5 %
	winter	mid-latitude	3.4 %	2.5 %	2.7%
		equator	4.4 %	3.1 %	2.9 %
		pole	16.1 %	11.4 %	9.2 %
first class	summer	mid-latitude	4.7 %	3.3 %	3.4 %
		equator	4.4 %	3.1 %	2.9 %
		pole	16.1 %	11.4 %	9.2 %
	winter	mid-latitude	6.5 %	4.5 %	5.2%
		equator	4.4 %	3.1 %	2.9 %
		pole	16.1 %	11.4 %	9.2 %
second class (SR05 series)	summer	mid-latitude	8.4 %	5.9 %	6.2 %
		equator	7.8 %	5.5 %	5.3 %
		pole	29.5 %	21.6 %	18.0 %
	winter	mid-latitude	11.4 %	8.1 %	9.9%
		equator	7.8 %	5.5 %	5.3 %
		pole	29.5 %	21.6 %	18.0 %

7.4.2 Calibration uncertainty

New calibration procedures were developed in close cooperation with PMOD World Radiation Center in Davos, Switzerland. The latest calibration method results in an uncertainty of the sensitivity of less than 2.4 %, compared to typical uncertainties of higher than 3.5 % for this pyranometer class. See the appendix for detailed information on calibration hierarchy.

8 Maintenance and troubleshooting

8.1 Recommended maintenance and quality assurance

SR05 can measure reliably at a low level of maintenance in most locations. Usually unreliable measurements will be detected as unreasonably large or small measured values. As a general rule this means that regular visual inspection combined with a critical review of the measured data, preferably checking against other measurements, is the preferred way to obtain a reliable measurement.

Table 8.1.1 Recommended maintenance of SR05. If possible the data analysis and cleaning (1 and 2) should be done on a daily basis. (continued on next pages).

Minimum recommended pyranometer maintenance			
	interval	subject	action
1	1 week	data analysis	Compare measured data to maximum possible/ maximum expected irradiance and to other measurements nearby (redundant instruments). Also historical seasonal records can be used as a source for expected values. Analyze night time signals. These signals may be negative (down to - 5 W/m ² on clear windless nights), due to zero offset a. In case of use with PV systems, compare daytime measurements to PV system output. Look for any patterns and events that deviate from what is normal or expected
2	2 weeks	cleaning	Use a soft cloth to clean the dome of the instrument, persistent stains can be treated with soapy water or alcohol.
3	6 months	inspection	Inspect cable quality, inspect connectors, inspect mounting position, inspect cable, clean instrument, clean cable, inspect leveling, change instrument tilt in case this is out of specification, inspect mounting connection, inspect interior of dome for condensation

4	2 years	desiccant replacement	Desiccant is specified to last for minimum 2 years. In case the user wants to replace desiccant himself, this is at own risk and should only be executed in an ESD-safe work environment. The bottom plate of SR05 should be removed by unscrewing 3 x T10 screws with a Torx 10 screwdriver. The desiccant bag is taped on the bottom plate of SR05. Care should be taken when mounting the bottom plate on SR05
5	2 years	recalibration	Recalibration by side-by-side comparison to a higher standard instrument in the field according to ISO 9847 request "power user" status and a password at the factory permitting to write to registers holding the sensitivity and the calibration history data via the Sensor Manager
6		lifetime assessment	Judge if the instrument should be reliable for another 2 years, or if it should be replaced.
7	6 years	parts replacement	If applicable/necessary replace the parts that are most exposed to weathering; cable, connector. NOTE: use Hukx approved parts only
8		internal inspection	If applicable: open instrument and inspect/replace o-rings; dry internal cavity around the circuit board
9		recalibration	high-accuracy recalibration indoors according to ISO 9847 or outdoors according to ISO 9846

8.2 Troubleshooting

Table 8.2.1 Troubleshooting for SR05 (continued on the next page).

general	<p>Inspect the instrument for any damage.</p> <p>Inspect if the connector is properly attached.</p> <p>Check the condition of the connectors (on chassis as well as the cable).</p> <p>Inspect if the sensor receives DC voltage power in the range of 5 to 30 VDC.</p> <p>Inspect the connection of the shield (typically not connected at the network side).</p> <p>Inspect the connection of the sensor power supply, typically the negative is connected to the network common.</p>
Prepare for indoor testing.	<p>Install the Sensor Manager software on a PC. Equip the PC with RS-485 or TTL communication for respectively SR05-D1A3 and SR05-D2A2. Put DC voltage power to the sensor and establish communication with the sensor. At power-up the signal may have a temporary output level different from zero; an offset. Let this offset settle down.</p>
The sensor does not give any signal.	<p>Check if the sensor reacts to light: expose the sensor to a strong light source, for instance a 100 W light bulb at 0.1 m distance. The signal should read $> 100 \text{ W/m}^2$ now. Darken the sensor either by putting something over it or switching off the light. The instrument voltage output should go down and within one minute approach 0 W/m^2. Check the data acquisition by replacing the sensor with a spare sensor with the same address.</p>
Not able to communicate with the sensor.	<p>Check all physical connections to the sensor and try connecting to the sensor again. If communicating is not possible, try to figure out if the address and communication settings are correct. Analyze the cable performance by measuring resistance from pins to cable ends. The electrical resistance should be $< 10 \Omega$. In case of doubt, try a new cable.</p> <p>Connect sensor to a PC and perform the "Find" and "Find all" operation with the Sensor Manager to locate the sensor and verify the communication settings. If all physical connections are correct, and the sensor still cannot be found, please contact the factory to send the sensor to the manufacturer for diagnosis and service.</p>

SR05 does not respond to a request for 6 or more registers	It is not possible to request more than five 16 bit registers in one request. In case of requesting six or more registers in just one request, the sensor will not respond. If requesting six or more registers, use multiple requests: the sensor will respond as expected.
The sensor signal is unrealistically high or low	Note that nighttime signals may be negative (down to -5 W/m^2 on clear windless nights), due to zero offset a. Check if the pyranometer has a clean dome. Check the location of the pyranometer; are there any obstructions that could explain the measurement result. Check the orientation/leveling of the pyranometer. Check the cable condition looking for cable breaks. Check the condition of the connectors (on chassis as well as the cable).

8.3 Calibration and checks in the field

Recalibration of field pyranometers is typically done by comparison in the field to a reference pyranometer. The applicable standard is ISO 9847 "International Standard- Solar Energy- calibration of field pyranometers by comparison to a reference pyranometer". At Hukx an indoor calibration according to the same standard is used.

Hukx recommendation for re-calibration:

if possible, perform calibration indoor by comparison to an identical reference instrument, under normal incidence conditions.

The recommended calibration interval of pyranometers is 2 years. The registers containing the applied sensitivity and the calibration history of SR05 are accessible for users. This allows the user to choose his own local calibration service. The same feature may be used for remotely controlled re-calibration of pyranometers in the field. Ask Hukx for information on ISO and ASTM standardized procedures for field calibration. Request "power user" status and a password at the factory permitting to write to registers holding the sensitivity and the calibration history data via the Sensor Manager.

In case of field comparison; ISO recommends field calibration to a higher class pyranometer. Hukx suggests also allowing use of sensors of the same model and class, because intercomparisons of similar instruments have the advantage that they suffer from the same offsets. It is therefore just as good to compare to pyranometers of the same brand and type as to compare to an instrument of a higher class. ISO recommends to perform field calibration during several days; 2 to 3 days under cloudless conditions, 10 days under cloudy conditions. In general this is not achievable. In order to shorten the calibration process Hukx suggests to allow calibration at normal incidence, using hourly totals near solar noon.

Hukx main recommendations for field intercomparisons are:

1. to take normal incidence as a reference and not the entire day.
2. to take a reference of the same brand and type as the field pyranometer or a pyranometer of a higher class, and
3. to connect both to the same electronics, so that electronics errors (also offsets) are eliminated.
4. to mount all instruments on the same platform, so that they have the same body temperature.
5. assuming that the electronics are independently calibrated, to analyze radiation values at normal incidence radiation (possibly tilting the radiometers to approximately normal incidence), if this is not possible to compare 1 hour totals around solar noon for horizontally mounted instruments.
6. for second class radiometers, to correct deviations of more than $\pm 10\%$. Lower deviations should be interpreted as acceptable and should not lead to a revised sensitivity.
7. for first class pyranometers, to correct deviations of more than $\pm 5\%$. Lower deviations should be interpreted as acceptable and should not lead to a revised sensitivity.
8. for secondary standard instruments, to correct deviations of more than $\pm 3\%$. Lower deviations should be interpreted as acceptable and should not lead to a revised sensitivity.

8.4 Data quality assurance

Quality assurance can be done by:

- analyzing trends in solar irradiance signal
- plotting the measured irradiance against mathematically generated expected values
- comparing irradiance measurements between sites
- analysis of night time signals

The main idea is that one should look out for any unrealistic values.

There are programs on the market that can semi-automatically perform data screening. See for more information on such a program: <https://dama-nl.org/dqms-en>.

9 Appendices

9.1 Appendix on cable extension/replacement

The sensor cable of the SR05 series is equipped with a M12-A straight connector. In case of cable replacement, it is recommended to purchase a new cable with connector at Hukx. In case of cable extension, it is recommended to purchase an extension cable with connector pairs at Hukx. Please note that Hukx does not provide support for Do-It-Yourself connector and cable assembly.

SR05 is equipped with one cable. Maximum length of the sensor cable is recommended to be 40 meters. It is good practice to keep the length of the cable as short as possible to avoid inference of the signal and keep noise at acceptable levels.

Do not use SR05's original factory-made cables with a total length of more than 40 meters.

Connector and cable specifications are summarized on the next page.



Figure 9.1: On the left the SR05 cable with M12-A female connector on sensor end. The cable is non-stripped on the other end. Its length is 3 meters standard and available in 10 and 20 meters too. On the right Hukx extension cable with connector pairs, with male and female M12-A connectors, available in 10 and 20 meters.

Table 9.1.1 Specifications for SR05 cable replacement and extension.

general replacement	please order a new cable with connector at Hukx
general cable extension	please order an extension cable with connector pairs at Hukx
connectors used	chassis: M12-A straight male connector, male thread, 5-pole manufacturer: Binder cable: M12-A straight female connector, female thread, 5-pole manufacturer: Binder The shield is electrically connected to the connector housing
cable	5-wire, shielded manufacturer: Binder
length	cables should be kept as short as possible; total cable length should be less than 40 m
outer sheath	with specifications for outdoor use (for good stability in outdoor applications)

9.2 Appendix on tools for SR05

Table 9.2.1 Specifications of tools for SR05.

Configuration	Tools	Included
tooling required for mounting SR05 without ball leveling	two M5 bolts applicable screwdriver	no no
tooling required for mounting SR05 with ball leveling	hex key 4 mm wrench size 8 mm for M5 nuts	yes no
tooling required for mounting SR05 with tube mount	hex key 4 mm	yes
tooling required for leveling SR05 with ball leveling and tube mount	hex key 4 mm	yes
tooling required for tipping the aluminum shim out of SR05's bottom panel position	screwdriver blade width 2 to 4 mm	no

9.3 Appendix on spare parts for SR05

- SR05 cable with female M12-A connector on sensor end, non-stripped on other end (3, 10, 20 m). Specify cable length
- SR05 extension cable with connector pair, with male and female M12-A connectors, (10, 20 m). Specify extension cable length
- Ball leveling (order number BL01)
- Tube mount (order number TM01)
- Tube mount with ball leveling (order number TMBL01)
- Shim for ball leveling mount
- Countersunk set screw for ball leveling mount
- 2 x M5x40 mounting bolts
- 2 x M5x30 mounting bolts
- 2 x M5x20 mounting bolts with 2 x M5 nuts
- Desiccant (silica gel, 1.0 g, in a HDPE bag)

NOTE: Dome, level and sensor of SR05 cannot be supplied as spare parts

9.4 Appendix on standards for classification and calibration

Both ISO and ASTM have standards on instrument classification and methods of calibration. The World Meteorological Organization (WMO) has largely adopted the ISO classification system.

Table 9.4.1 Pyranometer standardization in ISO and ASTM.

ISO standard	equivalent ASTM standard
ISO 9060:1990 <i>Solar energy—Specification and classification of instruments for measuring hemispherical solar and direct solar radiation</i>	not available Comment: work is in progress on a new ASTM equivalent standard
Comment: a standard " <i>Solar energy—Methods for testing pyranometer and pyrhelimeter characteristics</i> " has been announced in ISO 9060 but is not yet implemented.	not available
ISO 9846:1993 <i>Solar energy—Calibration of a pyranometer using a pyrhelimeter</i>	ASTM G167-05 <i>Standard Test Method for Calibration of a Pyranometer Using a Pyrhelimeter</i>
ISO 9847:1992 <i>Solar energy—Calibration of field pyranometers by comparison to a reference pyranometer</i>	ASTM E824-10 <i>Standard Test Method for Transfer of Calibration from Reference to Field Radiometers</i> ASTM G207-11 <i>Standard Test Method for Indoor Transfer of Calibration from Reference to Field Pyranometers</i>
ISO 9059:1990 <i>Solar energy—Calibration of field pyrhelimeters by comparison to a reference pyrhelimeter</i>	ASTM E816 <i>Standard Test Method for Calibration of Pyrhelimeters by Comparison to Reference Pyrhelimeters</i>

9.5 Appendix on calibration hierarchy

The World Radiometric Reference (WRR) is the measurement standard representing the SI unit of irradiance. Use of WRR is mandatory when working according to the standards of both WMO and ISO. ISO9874 states under Paragraph 1.3: the methods of calibration specified are traceable to the WRR. The WMO manual states under Paragraph 71.2.2: the WRR is accepted as representing the physical units of total irradiance.

The worldwide homogeneity of the meteorological radiation measurements is guaranteed by the World Radiation Center in Davos Switzerland, by maintaining the World Standard Group (WSG) which materializes the World Radiometric Reference.

See <https://www.pmodwrc.ch/>

The Hukx standard is traceable to an outdoor WRR calibration. Some small corrections are made to transfer this calibration to the Hukx standard conditions: sun at zenith and 1000 W/m² irradiance level. During the outdoor calibration the sun is typically at 20 to 40 ° zenith angle, and the total irradiance at a 700 W/m² level.

Table 9.5.1 Calibration hierarchy for pyranometers.

Working standard calibration at pmod/wrc davos

Calibration of working standard pyranometers:

Method: ISO 9846, type 1 outdoor. This working standard has an uncertainty "uncertainty of standard". The working standard has been calibrated under certain "test conditions of the standard". The working standard has traceability to WRR world radiometric reference.

Correction of (working) standard calibration to standardized reference conditions

Correction from "test conditions of the standard" to "reference conditions" i.e. to normal incidence and 20 °C: Using known (working) standard pyranometer properties: directional, non linearity, offsets, temperature dependence). This correction has an uncertainty; "uncertainty of correction". At Hukx we also call the working standard pyranometer "standard".

Indoor product calibration

Calibration of products, i.e. pyranometers:

Method: according to ISO 9847, Type IIc, which is an indoor calibration.

This calibration has an uncertainty associated with the method.

(In some cases like the BSRN network the product calibration is with a different method; for example again type 1 outdoor)

calibration uncertainty calculation

ISO 98-3 Guide to the Expression of Uncertainty in Measurement, GUM Determination of combined expanded uncertainty of calibration of the product, including uncertainty of the working standard, uncertainty of correction, uncertainty of the method (transfer error). The coverage factor must be determined; at Hukx we work with a coverage factor $k = 2$.

9.6 Appendix on meteorological radiation quantities

A pyranometer measures irradiance. The time integrated total is called radiant exposure. In solar energy radiant exposure is often given in $W \cdot h/m^2$.

Table 9.6.1 Meteorological radiation quantities as recommended by WMO (additional symbols by Hukx Sensor Technology). POA stands for Plane of Array irradiance. The term originates from ASTM and IEC standards.

symbol	description	calculation	units	alternative expression	
E_{\downarrow}	downward irradiance	$E_{\downarrow} = E_{g\downarrow} + E_{l\downarrow}$	W/m^2		
H_{\downarrow}	downward radiant exposure for a specified time interval	$H_{\downarrow} = H_{g\downarrow} + H_{l\downarrow}$	J/m^2		
E_{\uparrow}	upward irradiance	$E_{\uparrow} = E_{g\uparrow} + E_{l\uparrow}$	W/m^2		
H_{\uparrow}	upward radiant exposure for a specified time interval	$H_{\uparrow} = H_{g\uparrow} + H_{l\uparrow}$	J/m^2	$W \cdot h/m^2$	Change of units
E	direct solar irradiance normal to the apparent solar zenith angle		W/m^2	DNI	Direct Normal Irradiance
E_0	solar constant		W/m^2		
$E_{g\downarrow h}$	global irradiance; hemispherical irradiance on a specified, in this case, horizontal surface*	$E_{g\downarrow} = E \cdot \cos \theta_h + E_{d\downarrow}$	W/m^2	GHI	Global Horizontal Irradiance
$E_{g\downarrow t}$	global irradiance; hemispherical irradiance on a specified, in this case, tilted surface*	$E_{g\downarrow} = E \cdot \cos \theta_t + E_{d\downarrow t} + E_{l\uparrow t}$ ***	W/m^2	POA	Plane of Array
$E_{d\downarrow}$	downward diffuse solar radiation		W/m^2	DHI	Diffuse Horizontal Irradiance
$E_{l\uparrow}, E_{l\downarrow}$	upward/downward longwave irradiance		W/m^2		
$E_r\uparrow$	reflected solar irradiance		W/m^2		
E^*	net irradiance	$E^* = E_{\downarrow} - E_{\uparrow}$	W/m^2		
T_{\downarrow}	apparent surface temperature**		$^{\circ}C$ or K		
T_{\uparrow}	apparent sky temperature**		$^{\circ}C$ or K		
SD	sunshine duration		h		

θ is the apparent solar zenith angle θ_h relative to horizontal, θ_t relative to a tilted surface
 g = global, l = long wave, t = tilted *, h = horizontal*

* distinction horizontal and tilted by Hukx,
 ** T symbols introduced by Hukx,
 *** contributions of $E_{d\downarrow t}$ and $E_{l\uparrow t}$ are $E_{d\downarrow}$ and $E_r\uparrow$ both corrected for the tilt angle of the surface

9.7 Appendix on ISO and WMO classification tables

Table 9.7.1 Classification table for pyranometers per ISO 9060 and WMO.

NOTE: WMO specification of spectral selectivity is different from that of ISO. Hukx conforms to the ISO limits. WMO also specifies expected accuracies. ISO finds this not to be a part of the classification system because it also involves calibration. Please note that WMO achievable accuracies are for clear days at mid latitudes and that the uncertainty estimate does not include uncertainty due to calibration*.

ISO classification** table			
ISO class	secondary standard	first class	second class
specification limit			
response time (95 %)	15 s	30 s	60 s
Zero offset a (response to 200 W/m ² net thermal radiation)	+ 7 W/m ²	+ 15 W/m ²	+ 30 W/m ²
zero offset b (response to 5 K/h in ambient temperature)	± 2 W/m ²	± 4 W/m ²	± 8 W/m ²
non-stability (change per year)	± 0.8 %	± 1.5 %	± 3 %
non-linearity (100 to 1000 W/m ²)	± 0.5 %	± 1%	± 3 %
directional response	± 10 W/m ²	± 20 W/m ²	± 30 W/m ²
spectral selectivity (350 to 1500 x 10 ⁻⁹ m) (WMO 300 to 3000 x 10 ⁻⁹ m)	± 3 %	± 5 %	± 10 %
temperature response (interval of 50 K)**	2 %	4 %	8 %
tilt response (0 to 90 ° at 1000 W/m ²)	± 0.5 %	± 2 %	± 5 %
Additional WMO specifications (deviating from iso 9060)			
WMO class	high quality	good quality	moderate quality
WMO: achievable accuracy for daily sums*	2 %	5 %	10 %
WMO: achievable accuracy for hourly sums*	3 %	8 %	20 %
WMO: achievable accuracy for minute sums*	not specified	not specified	not specified
WMO: resolution (smallest detectable change)	1 W/m ²	5 W/m ²	10 W/m ²

conformity testing***

ISO 9060

individual
instrument only:
all specs must
comply

group
compliance

group
compliance

* WMO 7.2.1: The estimated uncertainties are based on the following assumptions: (a) instruments are well-maintained, correctly aligned and clean; (b) 1 min and 1 h figures are for clear-sky irradiances at solar noon; (c) daily exposure values are for clear days at mid-latitudes. WMO 7.3.2.5: Table 7.5 lists the expected maximum deviation from the true value, excluding calibration errors.

** At Hukx the expression $\pm 1\%$ is used instead of a range of 2 %.

*** An instrument is subject to conformity testing of its specifications. Depending on the classification, conformity compliance can be proven either by group- or individual compliance. A specification is fulfilled if the mean value of the respective test result does not exceed the corresponding limiting value of the specification for the specific category of instrument.

9.8 Appendix on the definition of pyranometer specifications

Table 9.8.1 Definition of pyranometer specifications.

specification	definition	source
response time (95 %)	Time for 95 % response. The time interval between the instant when a stimulus is subjected to a specified abrupt change and the instant when the response reaches and remains within specified limits around its final steady value. The response time is a measure of the thermal inertia inherent in the stabilization period for a final reading.	ISO 9060:1990 WMO 1.6.3
zero offset a: (200 W/m ² net thermal radiation)	Response to 200 W/m ² net thermal radiation (ventilated). Hukx assumes that unventilated instruments have to specify the zero-offset in unventilated – worst case – conditions. Zero offsets are a measure of the stability of the zero-point. Zero offset a is visible at night as a negative offset, the instrument dome irradiates in the far infra red to the relatively cold sky. This causes the dome to cool down. The pyranometer sensor irradiates to the relatively cool dome, causing a negative offset. Zero offset a is also assumed to be present during daytime.	ISO 9060:1990
zero offset b: (5 K/h in ambient temperature)	Response to 5 K/h change in ambient temperature. Zero offsets are a measure of the stability of the zero-point.	ISO 9060:1990
non-stability (change per year)	Percentage change in sensitivity per year. The dependence of sensitivity resulting from ageing effects which is a measure of the long-term stability.	ISO 9060:1990
non-linearity (100 to 1000 W/m ²)	Percentage deviation from the sensitivity at 500 W/m ² due to the change in irradiance within the range of 100 W/m ² to 1000 W/m ² . Non-linearity has an overlap with directional response, and therefore should be handled with care in uncertainty evaluation.	ISO 9060:1990
directional response	The range of errors caused by assuming that the normal incidence sensitivity is valid for all directions when measuring from any direction a beam radiation whose normal incidence irradiance is 1000 W/m ² . Directional response is a measure of the deviations from the ideal "cosine behavior" and its azimuthal variation.	ISO 9060:1990
spectral selectivity (350 to 1500 x 10 ⁻⁹ m) (WMO 300 to 3000 x 10 ⁻⁹ m)	Percentage deviation of the product of spectral absorptance and spectral transmittance from the corresponding mean within the specified spectral range. Spectral selectivity is a measure of the spectral selectivity of the sensitivity.	ISO 9060:1990
temperature response (interval of 50 K)	Percentage deviation of the sensitivity due to change in ambient temperature within an interval of 50 K the temperature of the pyrheliometer body.	ISO 9060:1990

tilt response (0 to 90 ° at 1000 W/m ²)	percentage deviation from the sensitivity at 0 ° tilt (horizontal) due to change in tilt from 0 to 90 ° at 1000 W/m ² irradiance. Tilt response describes changes of the sensitivity due to changes of the tilt angle of the receiving surface.	ISO 9060:1990
sensitivity	The change in the response of a measuring instrument divided by the corresponding change in the stimulus.	WMO 1.6.3
spectral range	the spectral range of radiation to which the instrument is sensitive. For a normal pyranometer this should be in the 0.3 to 3 x 10 ⁻⁶ m range. Some pyranometers with colored glass domes have a limited spectral range.	Hukx

9.9 Appendix on terminology/glossary

Table 9.9.1 Definitions and references of used terms.

term	definition (reference)
solar energy or solar radiation	Solar energy is the electromagnetic energy emitted by the sun. Solar energy is also called solar radiation and shortwave radiation. The solar radiation incident on the top of the terrestrial atmosphere is called extra-terrestrial solar radiation; 97 % of which is confined to the spectral range of 290 to $3\,000 \times 10^{-9}$ m. Part of the extra-terrestrial solar radiation penetrates the atmosphere and directly reaches the earth's surface, while part of it is scattered and/or absorbed by the gas molecules, aerosol particles, cloud droplets and cloud crystals in the atmosphere. The former is the direct component, the latter is the diffuse component of the solar radiation. (ref: WMO, HUKX)
hemispherical solar radiation	solar radiation received by a plane surface from a 180° field of view angle (solid angle of 2π sr) (ref: ISO 9060).
global solar radiation	The solar radiation received from a 180° field of view angle on a horizontal surface is referred to as global radiation. Also called GHI. This includes radiation received directly from the solid angle of the sun's disc, as well as diffuse sky radiation that has been scattered in traversing the atmosphere. (ref: WMO) Hemispherical solar radiation received by a horizontal plane surface. (ref: ISO 9060)
plane of Array irradiance	also POA: hemispherical solar irradiance in the plane of a PV array (ref: ASTM E2848-11 / IEC 61724)
direct solar radiation	radiation received from a small solid angle centered on the sun's disc, on a given plane (ref: ISO 9060)
terrestrial or longwave radiation	radiation not of solar origin but of terrestrial and atmospheric origin and having longer wavelengths ($[3\,000 \text{ to } 100\,000] \times 10^{-9}$ m). In case of downwelling E_{\downarrow} also the background radiation from the universe is involved, passing through the "atmospheric window". In case of upwelling E_{\uparrow} , composed of longwave electromagnetic energy emitted by the earth's surface and by the gases, aerosols and clouds of the atmosphere; it is also partly absorbed within the atmosphere. For a temperature of 300 K, 99.99 % of the power of the terrestrial radiation has a wavelength longer than $3\,000 \times 10^{-9}$ m and about 99 per cent longer than $5\,000 \times 10^{-9}$ m. For lower temperatures, the spectrum shifts to longer wavelengths. (ref: WMO)
World Radiometric Reference (WRR)	measurement standard representing the SI unit of irradiance with an uncertainty of less than $\pm 0.3\%$ (see the WMO <i>Guide to Meteorological Instruments and Methods of Observation</i> , 1983, subclause 9.1.3). The reference was adopted by the World Meteorological Organization (WMO) and has been in effect since 1 July 1980. (ref: ISO 9060)

albedo	ratio of reflected and incoming solar radiation. Dimensionless number that varies between 0 and 1. Typical albedo values are: < 0.1 for water, from 0.1 for wet soils to 0.5 for dry sand, from 0.1 to 0.4 for vegetation, up to 0.9 for fresh snow.
angle of incidence	angle of radiation relative to the sensor measured from normal incidence (varies from 0 to 90 °)
zenith angle	angle of incidence of radiation, relative to zenith. Equals angle of incidence for horizontally mounted instruments.
azimuth angle	angle of incidence of radiation, projected in the plane of the sensor surface. Varies from 0 to 360 °. 0 is by definition the cable exit direction, also called north, east is + 90 ° (ASTM G113 - 16).
sunshine duration	Sunshine duration during a given period is defined as the sum of that sub-period for which the direct solar irradiance exceeds 120 W/m ² (ref: WMO).

9.10 Appendix on floating point format conversion

For efficient use of microcontroller capacity some registers in the SR05 contain data in a float or floating point format. In fact, a floating point is an approximation of a real number represented by a number of significant digits (mantissa) and an exponent. For implementation of the floating point numbers, Hukx follows the IEEE 754 standard. In this example the floating point of register 41 and 42 is converted to the decimal value it represents. In the Sensor Manager software and other Modbus tools, floating point data will be converted to decimal data automatically.

Example of the calculation of register 41 + 42 representing a floating point for the sensitivity of the sensor, which is 15.14:

Data in register 41, 16754 (MSW)

Data in register 42, 15729 (LSW)

Double word:

$(MSW \times 216) + LSW$

so: $(16754 \times 216) + 15729 = 1098005873$

According to IEEE 754:

Sign bit:

$1098005873 < 2147483647$

so: sign bit = 1; The number 2147483647 is defined by IEEE 754

Exponent:

$1098005873 / 223 = 130$ (digits after the decimal point are ignored)

$130 - 127 = 3$

so: exponent = 3; The number 127 is a constant defined by IEEE 754

Mantissa:

$130 \times 223 = 1090519040$

$1098005873 - 1090519040 = 7486833$

$7486833 / 223 = 0.8925$

According to IEEE 754, 1 has to be added to get mantissa

$0.8925 + 1 = 1.8925$

so: mantissa = 1.8925

Calculation of floating point:

float = sign bit x mantissa x $(2^{\text{exponent}}) = 1 \times 1.8925 \times 2^3 = 15.14$

so: floating point = 15.14

9.11 Appendix on function codes, register and coil overview

Table 9.11.1 Supported Modbus function codes.

function code (hex)	description
0x01	Read Coils
0x02	Read Discrete Inputs
0x03	Read Holding Registers
0x04	Read Input Register
0x05	Write Single Coil
0x06	Write Single Holding Register
0x0F	Write Multiple Coils
0x10	Write Multiple Registers



Your data request may need an offset of +1 for each SR05 register number, depending on processing by the network master. Example: SR05 register number 7 + master offset = 7 + 1 = master register number 8. Consult the manual of the device acting as the local master.

Table 10.13.2 Modbus registers 0 to 82.

Modbus registers 0-82				
register number	parameter	description of content	type of	format of data
0	Modbus address	sensor address in Modbus network, default = 1	R/W	U16
1	serial communication settings	sets the serial communication, default = 5	R/W	U16
2 + 3	irradiance (temperature compensated signal)	temperature compensated signal in x 0.01 W/m ²	R	S32
4 + 5	irradiance (uncompensated signal)	uncompensated signal in x 0.01 W/m ²	R	S32
6	sensor body temperature	in x 0.01 °C	R	S16

7	sensor electrical resistance	in x 0.1 Ω	R	U16
8	scaling factor irradiance	default = 100	R	U16
9	scaling factor temperature	default = 100	R	U16
10 + 11	sensor voltage output	in x 10 ⁻⁹ V	R	S32
12 to 31	factory use only			
32 to 35	sensor model	part one of sensor description	R	string
36 to 39	sensor model	part two of sensor description	R	string
40	sensor serial number		R	U16
41 + 42	sensor sensitivity	in x 10 ⁻⁶ V/(W/m ²)	R	float
43	response time	in x 0.1 s	R	U16
44	sensor resistance	in x 0.1 Ω	R	U16
45	reserved	always 0	R	U16
46 + 47	sensor calibration date	calibration date of the sensor in YYYYMMDD	R	U32
48 to 60	factory use		R	
61	firmware version		R	U16
62	hardware version		R	U16
63 + 64	sensor sensitivity history 1	in x 10 ⁻⁶ V/(W/m ²) default value is 0	R	float
65 + 66	calibration date history 1	former calibration date of the sensor in YYYYMMDD default value is 0	R	U32
67 + 68	sensor sensitivity history 2	see register 63 + 64	R	float
69 + 70	calibration date history 2	see register 65 + 66	R	U32

71 + 72	sensor sensitivity history 3	see register 63 + 64	R	float
73 + 74	calibration date history 3	see register 65 + 66	R	U32
75 + 76	sensor sensitivity history 4	see register 63 + 64	R	float
77 + 78	calibration date history 4	see register 65 + 66	R	U32
79 + 80	sensor sensitivity history 5	see register 63 + 64	R	float
81 + 82	calibration date history 5	see register 65 + 66	R	U32



Note 1: Up to five 16 bit registers can be requested in one request. If requesting six or more registers, use multiple requests.

Please note that if your data request needs an offset of +1 for each SR05 register number, depending on processing by the network master, this offset applies to coils as well. Consult the manual of the device acting as the local master.

Table 9.11.3 Coils.

Coils				
coil	parameter	description	type of	object type
0	restart	restart the sensor	W	single bit
1	reserved			
2	check	measure sensor electrical resistance	W	single bit

9.12 Appendix on finding the sensor model name in the register

Table 9.12.1 Modbus registers 32 to 39, sensor model name.

Modbus registers 32-62				
register address	parameter	description of content	type of	format of data
32 to 35	sensor model	part one of sensor description	R	string
36 to 39	sensor model	part two of sensor description	R	string

Registers 32 to 39 will return 8 numbers which can be decoded to find the sensor model name. There are two methods: A and B. SR05-D1A3 sensors with serial number 3819 or higher and SR05-D2A2 sensors with serial number 3524 or higher use method A for storing the name in this register. Sensors with lower serial numbers than these (mostly SR05-DA1 and SR05-DA2 sensors) use method B.

Method A: The 8 numbers (16 bit word or two bytes) are translated to ASCII characters in the following manner. The least significant byte (LSB) of each number corresponds to the first ASCII character and the most significant byte (MSB) corresponds to the first ASCII character in this register location. The following table illustrates this encoding:

Table 9.12.1 Method A sensor model name encoding.

register address	32	33	34	35	36	37	38	39
Hexadecimal	[52][53]	[35][30]	[44][2D]	[41][31]	[00][33]	[00][00]	[00][00]	[00][00]
MSB	[52]	[35]	[44]	[41]	[00]	[00]	[00]	[00]
LSB	[53]	[30]	[2D]	[31]	[33]	[00]	[00]	[00]
ASCII	SR	05	-D	1A	3			

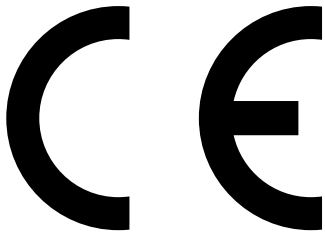
Method B: The 8 numbers (16 bit word or two bytes) are translated to ASCII characters in the following manner. The least significant byte (LSB) corresponds to the only ASCII character in this register location. The most significant byte (MSB) always equals [00].

Table 9.12.2 Method B sensor model name encoding.

register address	32	33	34	35	36	37	38	39
Hexadecimal	[00][53]	[00][52]	[00][30]	[00][35]	[00][2D]	[00][44]	[00][41]	[00][31]
MSB	[00]	[00]	[00]	[00]	[00]	[00]	[00]	[00]
LSB	[53]	[52]	[30]	[35]	[2D]	[44]	[41]	[31]
ASCII	S	R	0	5	-	D	A	1

Note that there is an alternative way to find out what encoding is used by reading register 32 (16 bit word or two bytes) and find the value of the most significant byte (MSB). If this value equals [00] encoding method B is used. If it does not equal [00] method A is used.

9.13 EU declaration of conformity



We, Hukseflux Thermal Sensors B.V.
Delftechpark 31
2628 XJ Delft
The Netherlands

in accordance with the requirements of the following directive:

2011/65/EU, EU 2015/863	The Restriction of Hazardous Substances Directive
2014/30/EU	The Electromagnetic Compatibility Directive

hereby declare under our sole responsibility that:

Product model:	SR05-D1A3, SR05-D2A2
Product type:	Pyranometer
Brand name:	Hukx

has been designed to comply and is in conformity with the relevant sections and applicable requirements of the following standards:

Emission:	IEC/EN 61000-6-1, Class B, RF emission requirements, IEC CISPR11 and EN 55011 Class B requirements
Immunity:	IEC/EN 61000-6-2 and IEC 61326 requirements

Report	"EMC test SR05-D1A3_d v03012019.pdf", 03 January, 2019 and "EMC test SR05-DA2 v04122015.pdf", 04 December, 2015
--------	--

A handwritten signature in blue ink, appearing to be 'E. Hoeksema', written over a faint grid background.

Eric HOEKSEMA
Director
Delft, 28 May 2026

About Hukx

Hukx is the leading innovator in solar radiation and heat flux sensor technology. We are proud to set the standard in high-accuracy measurement, and to be working at the heart of the energy transition.

Customers worldwide rely on our bestselling pyranometers and heat flux sensors. From sensor design and selection to supply and recalibration, we support you across the entire lifecycle.

Hukx is headquartered in the Netherlands, with locally owned representative sales offices in the USA, Brazil, India, China, Southeast Asia, and Japan.

Let us help you select the best sensor for your application. Get in touch with our experts today via: info@hukx.com

© Hukx

Version 2605

We reserve the right to change specifications without prior notice.

www.hukx.com

HUKX